



SERIES JHD HEAVY DUTY AIR CYLINDER

*The Lehigh Miracalube® Air Cylinder
The Only Real Self-Lube Air Cylinder in the World*

BENEFITS!

The true test of a cylinder is how well it performs in your application. This has been our philosophy since 1948 when we first designed and manufactured the exclusive Miracalube® self-lubricated air cylinder system. This combination of innovative design features plus the finest available materials and workmanship has earned us an industry-wide reputation of excellence.



The unique Miracalube® internal reservoir system meters a specially formulated non-toxic, ingestible, low-vapor pressure lubricant - totally solvent-free for millions of trouble free cycles. Unlike contaminating airline lubricants, Miracalube® will not mist or atomize and, being solvent-free, will not dissolve seals or fuse lipseals to the tube ID if the piston remains in one position for any extended time. This means that you can run our cylinder without the usual inline lubricator, and that means no spray from the exhaust!

Other standard Lehigh high-performance features include a tough, no-rust/non-pitting hard-tempered brass cylinder tube for extended piston seal life and a long self-lubed, readily removable sintered bronze rod bearing with grooved design for doubled oil capacity.

Our Series JHD air cylinders offers bore sizes from 3/4" to 20", maximum pressures up to 250 PSI, and strokes to over 10 feet. We design to match our customers' cylinder and seal requirements, whatever they may be.

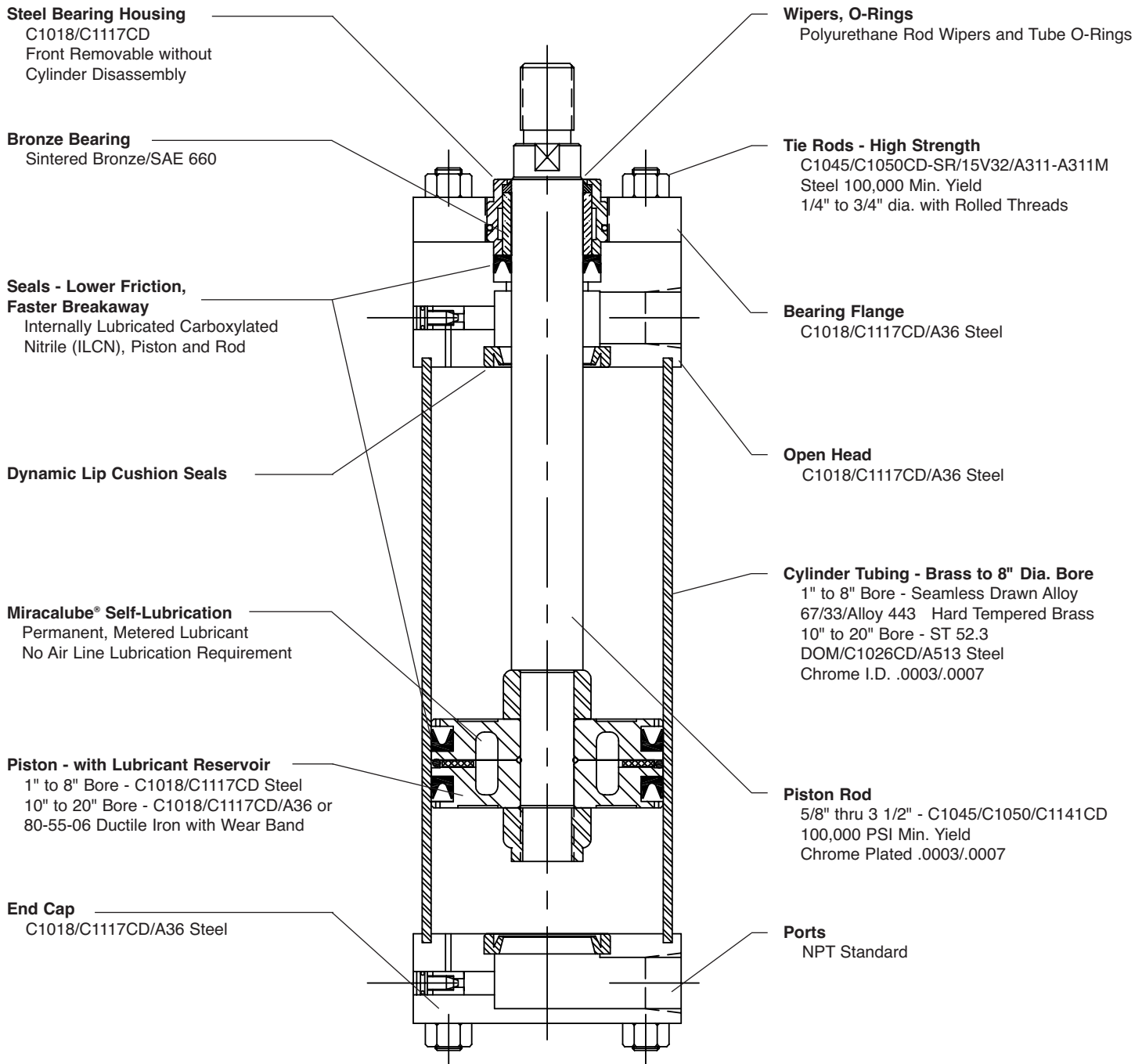
You'll benefit with the Miracalube® air cylinder's longer life, less downtime, no air line lubrication, and smooth, low breakaway startups for increased productivity. Let Lehigh's sales and engineering departments help you select the best product for your application needs.

The Series JHD Heavy Duty Air Cylinder

The Miracalube® Series . . . Real Self-Lubrication

FEATURES!

The Series JHD Heavy Duty Air Cylinder Comes Standard with the Following Design Features:



Other ... Pneumatic Service to 250 PSI ... Operating Temp. from 0° to 165° F (Standard), to 400°F (Optional Seals)

Custom Pneumatic Cylinders

An important part of our business is the custom cylinder design. The Series JHD pneumatic cylinder is available in virtually any configuration required by your special application. When you contact us with your design challenges, chances are that our engineering will meet the requirements of your special mounting, material, seal, temperature, sensing or other needs.