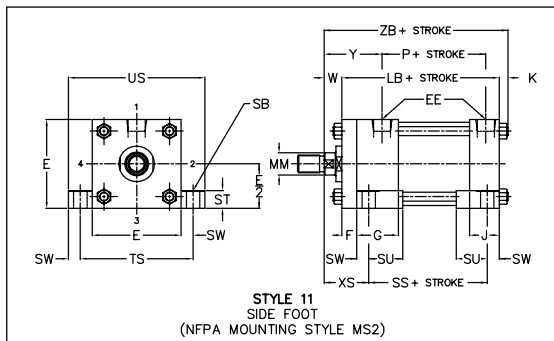
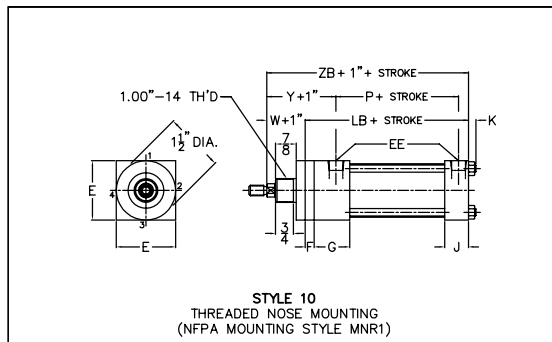
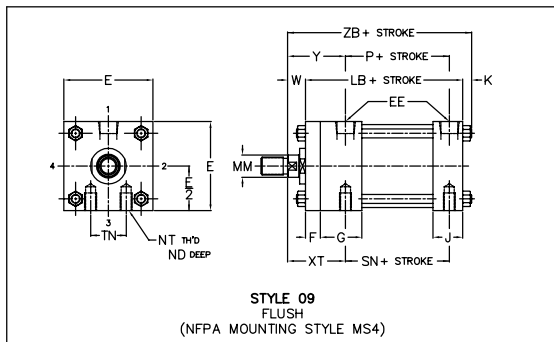
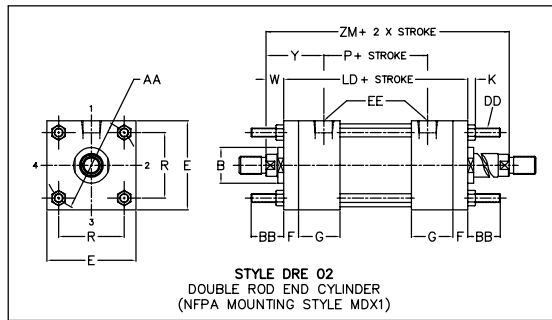
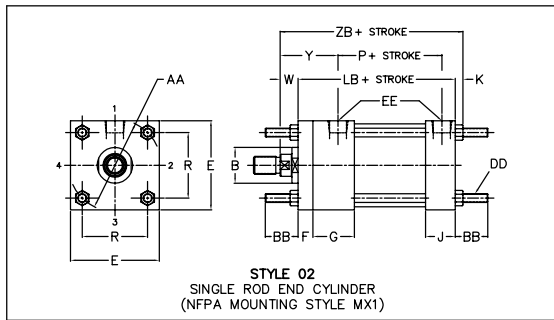




# TIE ROD, FLUSH, NOSE AND FOOT MOUNTED CYLINDERS

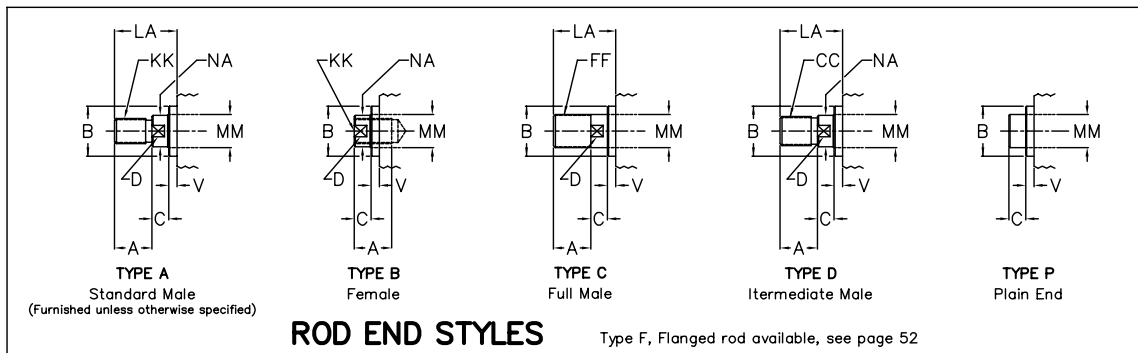
## 1" BORE SERIES JHD AND LSSL AIR CYLINDERS

STANDARD IN BRASS TUBE DESIGN AND ALL STAINLESS STEEL DESIGN!



### TIE ROD MOUNTING DESCRIPTION

MOUNTING STYLE	NFFA MOUNTING STYLE	DESCRIPTION
01	MX0	NO TIE ROD EXTENSIONS
02	MX1	TIE RODS EXTENDED BOTH ENDS
03	MX2	TIE RODS EXTENDED CAP END
04	MX3	TIE RODS EXTENDED ROD END
DRE 01	MDX0	NO TIE ROD EXTENSIONS
DRE 02	MDX1	TIE RODS EXTENDED BOTH ENDS
DRE 03	MDX3	TIE RODS EXTENDED ONE END

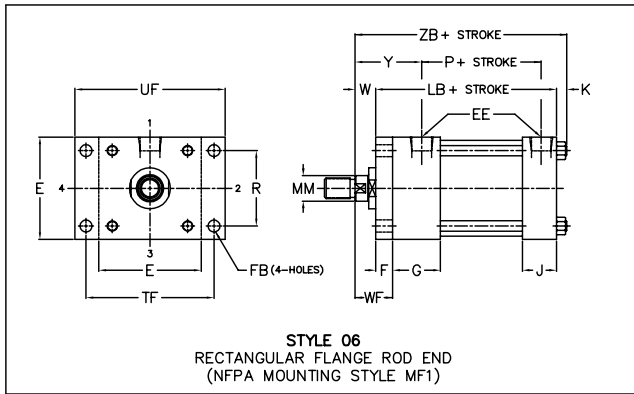


### DIMENSIONS AFFECTED BY ROD DIAMETER

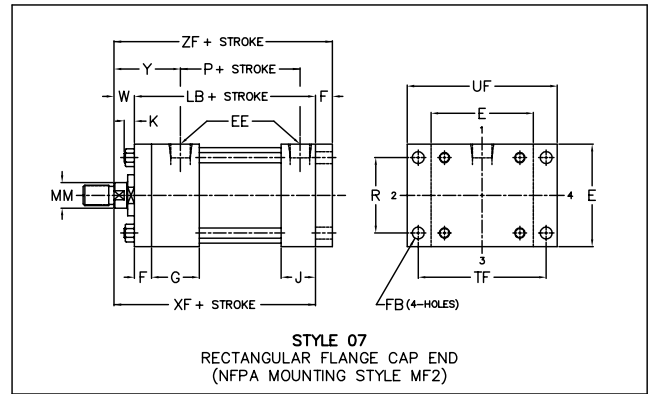
BORE	ROD DIA. MM	THREAD SIZE			ROD EXTENSIONS & PILOT DIMENSIONS						
		KK STD	CC	FF	A	B +.000 -.002	C	D	LA	NA	V
1	1/2	5/16-24	7/16-20	1/2-20	5/8	.999	3/8	3/8	1 1/4	7/16	1/4
	5/8	7/16-20	1/2-20	5/8-18	3/4	1.124	3/8	1/2	1 3/8	9/16	1/4

# FLANGE, CLEVIS PIVOT AND TRUNNION MOUNTED CYLINDERS

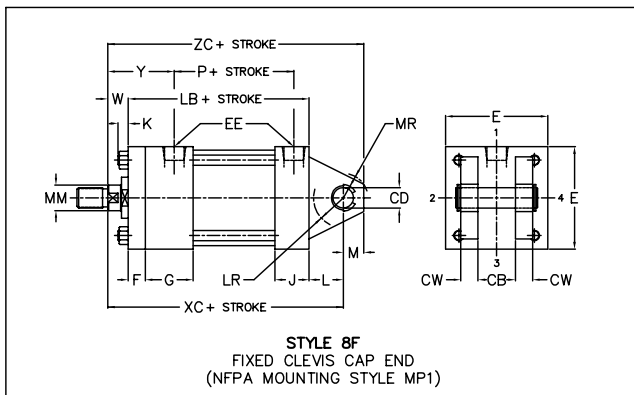
## 1" BORE SERIES JHD AND LSSL AIR CYLINDERS (Cont.)



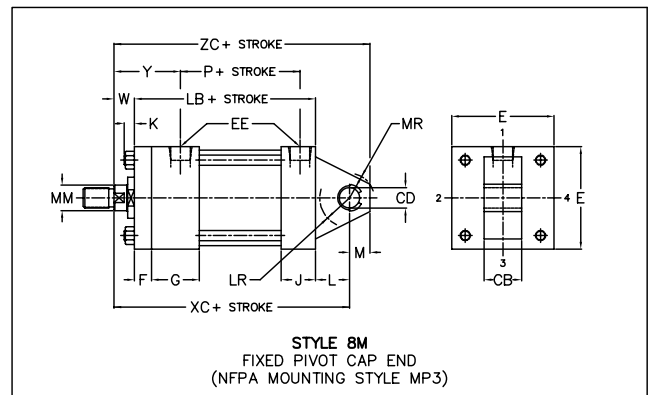
Standard Port location is Position 1.  
Standard Cushion location Position 2.



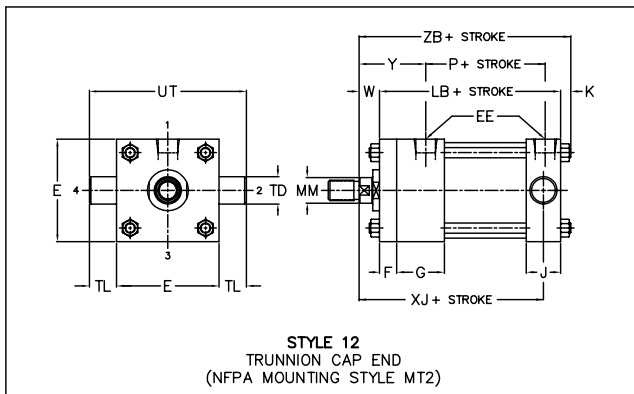
Standard Port location is Position 1.  
Standard Cushion location Position 2.



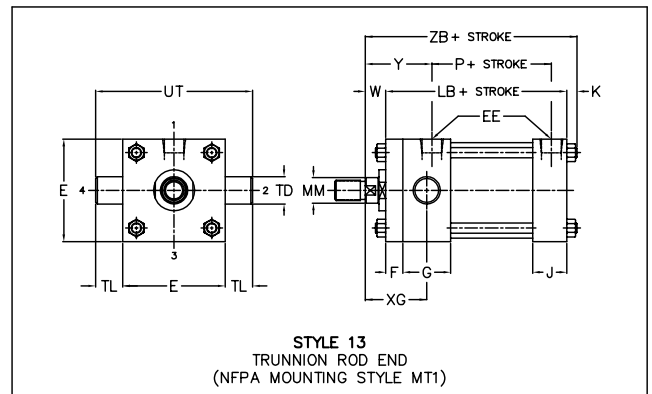
Standard Port location is Position 1.  
Standard Cushion location Position 2.



Standard Port location is Position 1.  
Standard Cushion location Position 2.



Standard Port location is Position 1.  
Standard Cushion location Position #2, ROD END, Position #3, CAP END



Standard Port location is Position 1.  
Standard Cushion location Position #3, ROD END, Position #2, CAP END

## ENVELOPE AND MOUNTING DIMENSIONS NOT AFFECTED BY ROD DIAMETER

BORE	AA	BB	CB	CD* +.000 -.002	CW	DD	E	EE*		F	FB	G	J	K	L	LR	M	MR
								NPT	SAE									
1	1.53	3/4	7/16	.437	.375	#10-32	1 1/2	1/4	4	3/8	1/4	1 1/2	1	1/8	1/2	7/16	7/16	1/2

BORE	ND	NT	R	SB	ST	SU	SW	TD +.000 -.002	TF	TL	TN	TS	UF	US	UT	W
1	1/4	#10-24	1.08	9/32	5/16	3/4	5/16	.750	2	3/4	9/16	2 1/8	2 1/2	2 3/4	3	5/8

BORE	XG	XS	XT	Y	LB	LD	P	SN	SS	XC	XF	XJ	ZB	ZC	ZF	ZM ADD 2X STROKE
																ADD STROKE
1	1 3/4	1 5/16	1 15/16	1 15/16	3 7/8	4 3/4	2 1/8	2 1/8	2 7/8	5	4 1/2	4	4 5/8	5 7/16	4 7/8	6

\* CD IS PIN DIAMETER

\*\* NPT PORTS FURNISHED UNLESS OTHERWISE SPECIFIED

NOTES: NON ADJUSTABLE CUSHIONS ARE AVAILABLE IN ALL MOUNTINGS FOR BOTH ROD AND CAP ENDS  
FOR MIRACALUBE, CONSULT FACTORY