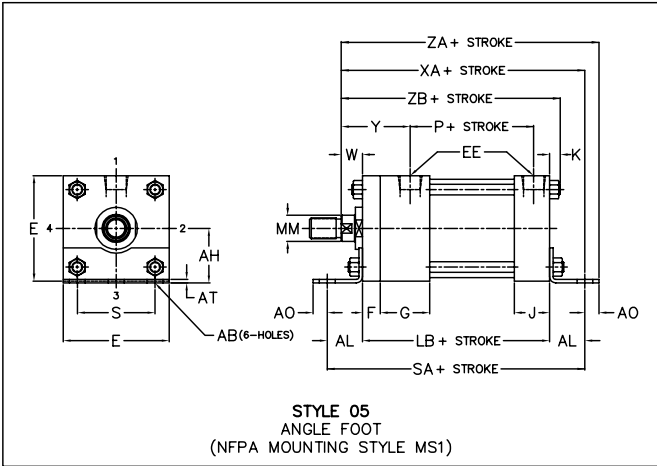




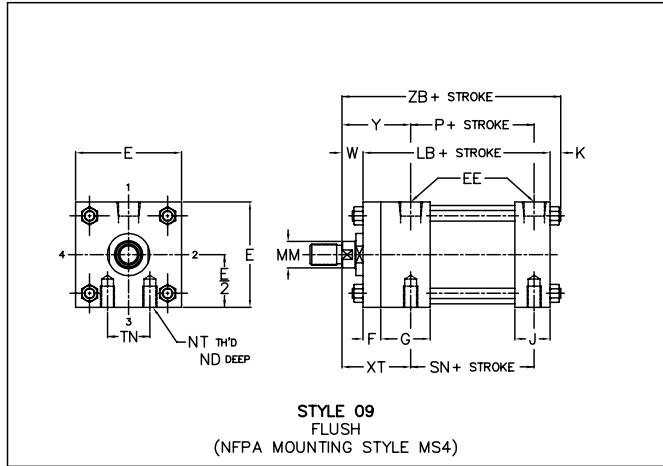
FOOT AND FLUSH MOUNTED CYLINDERS

1 1/2" TO 6" BORE SERIES JHD AND LSSL AIR CYLINDERS

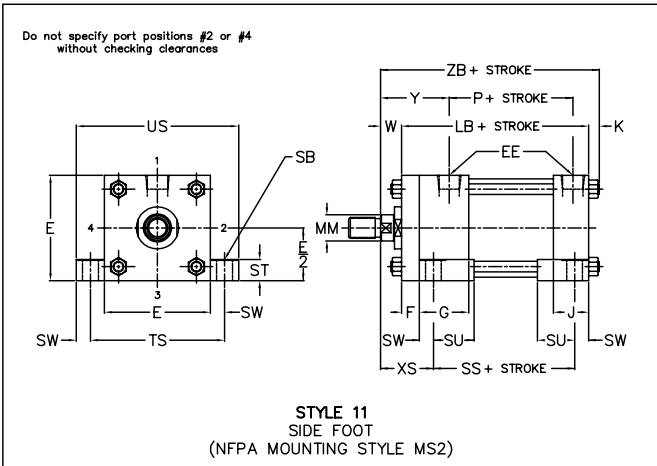
STANDARD IN BRASS TUBE DESIGN AND ALL STAINLESS STEEL DESIGN!



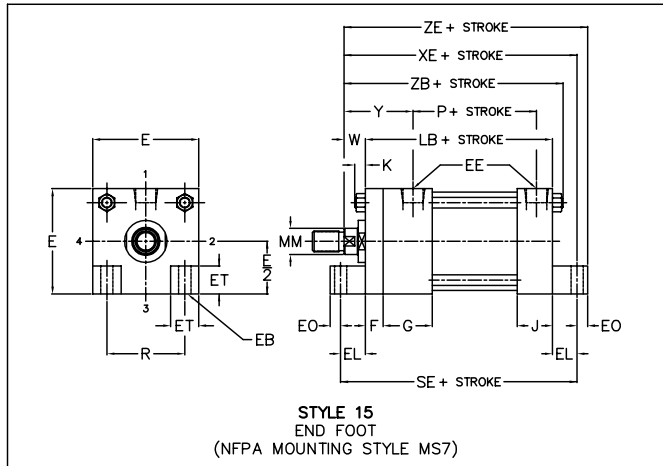
Standard Port location is Position 1.
Standard Cushion location Position 2.



Standard Port location is Position 1.
Standard Cushion location Position 2.



Standard Port location is Position 1.
Standard Cushion location Position 2.



Standard Port location is Position 1.
Standard Cushion location Position 2.

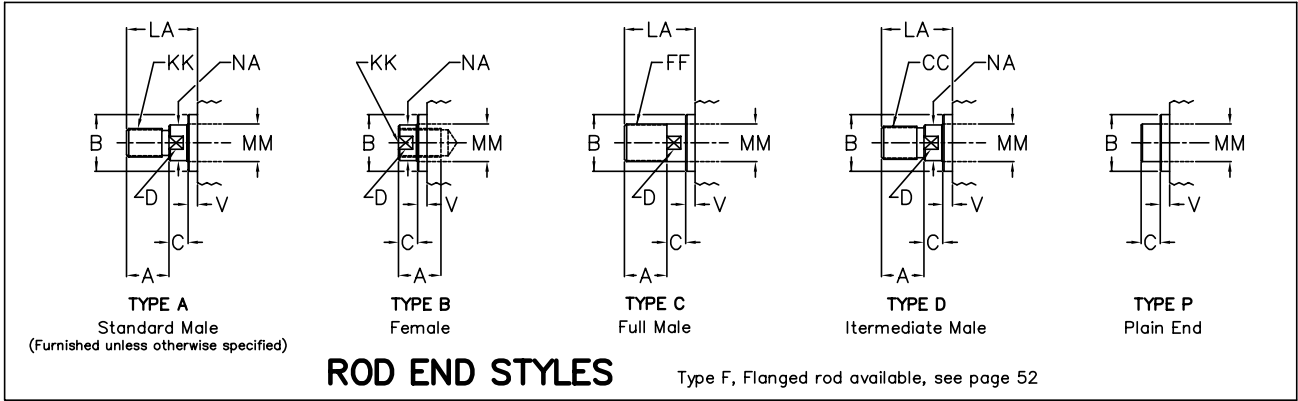
ENVELOPE AND MOUNTING DIMENSIONS NOT AFFECTED BY ROD DIAMETER

| BORE | AB | AH | AL | AO | AT | E | EB | EE * | | EL | EO | ET | F | G | J | K | ND MIN |
|-------|-------|---------|-------|-----|------|-------|------|------|-----|--------|------|--------|-----|-------|-------|------|--------|
| | | | | | | | | NPTF | SAE | | | | | | | | |
| 1 1/2 | 7/16 | 1 3/16 | 1 | 3/8 | 1/8 | 2 | 5/16 | 3/8 | 6 | 3/4 | 1/4 | 9/16 | 3/8 | 1 1/2 | 1 | 1/4 | 1/4 |
| 2 | 7/16 | 1 7/16 | 1 | 3/8 | 1/8 | 2 1/2 | 3/8 | 3/8 | 6 | 15/16 | 5/16 | 11/16 | 3/8 | 1 1/2 | 1 | 5/16 | 3/8 |
| 2 1/2 | 7/16 | 1 5/8 | 1 | 3/8 | 1/8 | 3 | 3/8 | 3/8 | 6 | 1 1/16 | 5/16 | 13/16 | 3/8 | 1 1/2 | 1 | 5/16 | 7/16 |
| 3 1/4 | 9/16 | 1 15/16 | 1 1/4 | 1/2 | 1/8 | 3 3/4 | 7/16 | 1/2 | 10 | 7/8 | 3/8 | 1 | 5/8 | 1 3/4 | 1 1/4 | 3/8 | 1/2 |
| 4 | 9/16 | 2 1/4 | 1 1/4 | 1/2 | 1/8 | 4 1/2 | 7/16 | 1/2 | 10 | 1 | 3/8 | 1 3/16 | 5/8 | 1 3/4 | 1 1/4 | 3/8 | 5/8 |
| 5 | 11/16 | 2 3/4 | 1 3/8 | 5/8 | 3/16 | 5 1/2 | 9/16 | 1/2 | 10 | 1 1/16 | 1/2 | 1 3/8 | 5/8 | 1 3/4 | 1 1/4 | 7/16 | 3/4 |
| 6 | 13/16 | 3 1/4 | 1 3/8 | 5/8 | 3/16 | 6 1/2 | 9/16 | 3/4 | 12 | 1 | 1/2 | 1 5/8 | 3/4 | 2 | 1 1/2 | 7/16 | 7/8 |

* NPTF PORTS FURNISHED UNLESS OTHERWISE SPECIFIED

| BORE | NT | R | S | SB | ST | SU | SW | TN | TS | US | LB | P | SA | SE | SN | SS |
|-------|---------|------|-------|-------|-----|--------|-------|---------|-------|-------|-------|-------|-------|-------|-------|-------|
| | | | | | | | | | | | | | | | | |
| 1 1/2 | 1/4-20 | 1.43 | 1 1/4 | 7/16 | 1/2 | 15/16 | 3/8 | 5/8 | 2 3/4 | 3 1/2 | 4 | 2 1/4 | 6 | 5 1/2 | 2 1/4 | 2 7/8 |
| 2 | 5/16-18 | 1.84 | 1 3/4 | 7/16 | 1/2 | 15/16 | 3/8 | 7/8 | 3 1/4 | 4 | 4 | 2 1/4 | 6 | 5 7/8 | 2 1/4 | 2 7/8 |
| 2 1/2 | 3/8-16 | 2.19 | 2 1/4 | 7/16 | 1/2 | 15/16 | 3/8 | 1 1/4 | 3 3/4 | 4 1/2 | 4 1/8 | 2 3/8 | 6 1/8 | 6 1/4 | 2 3/8 | 3 |
| 3 1/4 | 1/2-13 | 2.76 | 2 3/4 | 9/16 | 3/4 | 1 1/4 | 1/2 | 1 1/2 | 4 3/4 | 5 3/4 | 4 7/8 | 2 5/8 | 7 3/8 | 6 5/8 | 2 5/8 | 3 1/4 |
| 4 | 1/2-13 | 3.32 | 3 1/2 | 9/16 | 3/4 | 1 1/4 | 1/2 | 2 1/16 | 5 1/2 | 6 1/2 | 4 7/8 | 2 5/8 | 7 3/8 | 6 7/8 | 2 5/8 | 3 1/4 |
| 5 | 5/8-11 | 4.10 | 4 1/4 | 13/16 | 1 | 1 9/16 | 11/16 | 2 11/16 | 6 7/8 | 8 1/4 | 5 1/8 | 2 7/8 | 7 7/8 | 7 1/4 | 2 7/8 | 3 1/8 |
| 6 | 3/4-10 | 4.88 | 5 1/4 | 13/16 | 1 | 1 9/16 | 11/16 | 3 1/4 | 7 7/8 | 9 1/4 | 5 3/4 | 3 1/8 | 8 1/2 | 7 3/4 | 3 1/8 | 3 5/8 |

FOOT AND FLUSH MOUNTED CYLINDERS (Cont.)



DIMENSIONS AFFECTED BY ROD DIAMETER

| BORE | ROD DIA. MM | THREAD SIZE | | | ROD AND PILOT DIMENSIONS | | | | | | | | ENVELOPE DIMENSIONS | | | | | | | | | |
|-------|----------------|-------------|----------|----------|--------------------------|-----------------------|-----|---------|-------|---------|-----|-------|---------------------|---------|---------|-------|------------|-------|---------|---------|--|--|
| | | KK STD | CC | FF | A | B +0.000 -0.002 | C | D | LA | NA | V | W | XS | XT | Y | XA | XE | ZA | ZB | ZE | | |
| | | | | | | | | | | | | | | | | | ADD STROKE | | | | | |
| 1 1/2 | 5/8 | 7/16-20 | 1/2-20 | 5/8-18 | 3/4 | 1.124 | 3/8 | 1/2 | 1 3/8 | 9/16 | 1/4 | 5/8 | 1 3/8 | 1 15/16 | 1 15/16 | 5 5/8 | 5 3/8 | 6 | 4 7/8 | 5 5/8 | | |
| | 1 * | 3/4-16 | 7/8-14 | 1-14 | 1 1/8 | 1.499 | 1/2 | 7/8 | 2 1/8 | 15/16 | 1/2 | 1 | 1 3/4 | 2 5/16 | 2 5/16 | 6 | 5 3/4 | 6 3/8 | 5 1/4 | 6 | | |
| 2 | 5/8 | 7/16-20 | 1/2-20 | 5/8-18 | 3/4 | 1.124 | 3/8 | 1/2 | 1 3/8 | 9/16 | 1/4 | 5/8 | 1 3/8 | 1 15/16 | 1 15/16 | 5 5/8 | 5 9/16 | 6 | 4 15/16 | 5 7/8 | | |
| | 1 | 3/4-16 | 7/8-14 | 1-14 | 1 1/8 | 1.499 | 1/2 | 7/8 | 2 1/8 | 15/16 | 1/2 | 1 | 1 3/4 | 2 5/16 | 2 5/16 | 6 | 5 15/16 | 6 3/8 | 5 5/16 | 6 1/4 | | |
| | 1 3/8 * | 1-14 | 1 1/4-12 | 1 3/8-12 | 1 5/8 | 1.999 | 5/8 | 1 1/8 | 2 7/8 | 1 5/16 | 5/8 | 1 1/4 | 2 | 2 9/16 | 2 9/16 | 6 1/4 | 6 3/16 | 6 5/8 | 5 9/16 | 6 1/2 | | |
| 2 1/2 | 5/8 | 7/16-20 | 1/2-20 | 5/8-18 | 3/4 | 1.124 | 3/8 | 1/2 | 1 3/8 | 9/16 | 1/4 | 5/8 | 1 3/8 | 1 15/16 | 1 15/16 | 5 3/4 | 5 13/16 | 6 1/8 | 5 1/16 | 6 1/8 | | |
| | 1 | 3/4-16 | 7/8-14 | 1-14 | 1 1/8 | 1.499 | 1/2 | 7/8 | 2 1/8 | 15/16 | 1/2 | 1 | 1 3/4 | 2 5/16 | 2 5/16 | 6 1/8 | 6 3/16 | 6 1/2 | 5 7/16 | 6 1/2 | | |
| | 1 3/8 | 1-14 | 1 1/4-12 | 1 3/8-12 | 1 5/8 | 1.999 | 5/8 | 1 1/8 | 2 7/8 | 1 5/16 | 5/8 | 1 1/4 | 2 | 2 9/16 | 2 9/16 | 6 3/8 | 6 7/16 | 6 3/4 | 5 11/16 | 6 3/4 | | |
| | 1 3/4 * | 1 1/4-12 | 1 1/2-12 | 1 3/4-12 | 2 | 2.374 | 3/4 | 1 1/2 | 3 1/2 | 1 11/16 | 3/4 | 1 1/2 | 2 1/4 | 2 13/16 | 2 13/16 | 6 5/8 | 6 11/16 | 7 | 5 15/16 | 7 | | |
| 3 1/4 | 1 | 3/4-16 | 7/8-14 | 1-14 | 1 1/8 | 1.499 | 1/2 | 7/8 | 1 7/8 | 15/16 | 1/4 | 3/4 | 1 7/8 | 2 7/16 | 2 7/16 | 6 7/8 | 6 1/2 | 7 3/8 | 6 | 6 7/8 | | |
| | 1 3/8 | 1-14 | 1 1/4-12 | 1 3/8-12 | 1 5/8 | 1.999 | 5/8 | 1 1/8 | 2 5/8 | 1 5/16 | 3/8 | 1 | 2 1/8 | 2 11/16 | 2 11/16 | 7 1/8 | 6 3/4 | 7 5/8 | 6 1/4 | 7 1/8 | | |
| | 1 3/4 | 1 1/4-12 | 1 1/2-12 | 1 3/4-12 | 2 | 2.374 | 3/4 | 1 1/2 | 3 1/4 | 1 11/16 | 1/2 | 1 1/4 | 2 3/8 | 2 15/16 | 2 15/16 | 7 3/8 | 7 | 7 7/8 | 6 1/2 | 7 3/8 | | |
| | 2 * | 1 1/2-12 | 1 3/4-12 | 2-12 | 2 1/4 | 2.624 | 7/8 | 1 11/16 | 3 5/8 | 1 15/16 | 1/2 | 1 3/8 | 2 1/2 | 3 1/16 | 3 1/16 | 7 1/2 | 7 1/8 | 8 | 6 5/8 | 7 1/2 | | |
| 4 | 1 | 3/4-16 | 7/8-14 | 1-14 | 1 1/8 | 1.499 | 1/2 | 7/8 | 1 7/8 | 15/16 | 1/4 | 3/4 | 1 7/8 | 2 7/16 | 2 7/16 | 6 7/8 | 6 5/8 | 7 3/8 | 6 | 7 | | |
| | 1 3/8 | 1-14 | 1 1/4-12 | 1 3/8-12 | 1 5/8 | 1.999 | 5/8 | 1 1/8 | 2 5/8 | 1 5/16 | 3/8 | 1 | 2 1/8 | 2 11/16 | 2 11/16 | 7 1/8 | 6 7/8 | 7 5/8 | 6 1/4 | 7 1/4 | | |
| | 1 3/4 | 1 1/4-12 | 1 1/2-12 | 1 3/4-12 | 2 | 2.374 | 3/4 | 1 1/2 | 3 1/4 | 1 11/16 | 1/2 | 1 1/4 | 2 3/8 | 2 15/16 | 2 15/16 | 7 3/8 | 7 1/8 | 7 7/8 | 6 1/2 | 7 1/2 | | |
| | 2 | 1 1/2-12 | 1 3/4-12 | 2-12 | 2 1/4 | 2.624 | 7/8 | 1 11/16 | 3 5/8 | 1 15/16 | 1/2 | 1 3/8 | 2 1/2 | 3 1/16 | 3 1/16 | 7 1/2 | 7 1/4 | 8 | 6 5/8 | 7 5/8 | | |
| 5 | 1 | 3/4-16 | 7/8-14 | 1-14 | 1 1/8 | 1.499 | 1/2 | 7/8 | 1 7/8 | 15/16 | 1/4 | 3/4 | 2 1/16 | 2 7/16 | 2 7/16 | 7 1/4 | 6 15/16 | 7 7/8 | 6 5/16 | 7 7/16 | | |
| | 1 3/8 | 1-14 | 1 1/4-12 | 1 3/8-12 | 1 5/8 | 1.999 | 5/8 | 1 1/8 | 2 5/8 | 1 5/16 | 3/8 | 1 | 2 5/16 | 2 11/16 | 2 11/16 | 7 1/2 | 7 3/16 | 8 1/8 | 6 9/16 | 7 11/16 | | |
| | 1 3/4 | 1 1/4-12 | 1 1/2-12 | 1 3/4-12 | 2 | 2.374 | 3/4 | 1 1/2 | 3 1/4 | 1 11/16 | 1/2 | 1 1/4 | 2 9/16 | 2 15/16 | 2 15/16 | 7 3/4 | 7 7/16 | 8 3/8 | 6 13/16 | 7 15/16 | | |
| | 2 | 1 1/2-12 | 1 3/4-12 | 2-12 | 2 1/4 | 2.624 | 7/8 | 1 11/16 | 3 5/8 | 1 15/16 | 1/2 | 1 3/8 | 2 11/16 | 3 1/16 | 3 1/16 | 7 7/8 | 7 9/16 | 8 1/2 | 6 15/16 | 8 1/16 | | |
| 6 | 1 3/8 | 1-14 | 1 1/4-12 | 1 3/8-12 | 1 5/8 | 1.999 | 5/8 | 1 1/8 | 2 1/2 | 1 5/16 | 1/4 | 7/8 | 2 5/16 | 2 13/16 | 2 13/16 | 8 | 7 5/8 | 8 5/8 | 7 1/16 | 8 1/8 | | |
| | 1 3/4 | 1 1/4-12 | 1 1/2-12 | 1 3/4-12 | 2 | 2.374 | 3/4 | 1 1/2 | 3 1/8 | 1 11/16 | 3/8 | 1 1/8 | 2 9/16 | 3 1/16 | 3 1/16 | 8 1/4 | 7 7/8 | 8 7/8 | 7 5/16 | 8 3/8 | | |
| | 2 | 1 1/2-12 | 1 3/4-12 | 2-12 | 2 1/4 | 2.624 | 7/8 | 1 11/16 | 3 1/2 | 1 15/16 | 3/8 | 1 1/4 | 2 11/16 | 3 3/16 | 3 3/16 | 8 3/8 | 8 | 9 | 7 7/16 | 8 1/2 | | |
| | 2 1/2 | 1 7/8-12 | 2 1/4-12 | 2 1/2-12 | 3 | 3.124 | 1 | 2 1/16 | 4 1/2 | 2 3/8 | 1/2 | 1 1/2 | 2 15/16 | 3 7/16 | 3 7/16 | 8 5/8 | 8 1/4 | 9 1/4 | 7 11/16 | 8 3/4 | | |

FIRST ROD SIZE SHOWN FOR EACH BORE SIZE IS STANDARD ROD
 * ROD END CUSHIONS AVAILABLE ONLY AS NON-ADJUSTABLE TYPE - CONSULT LEIGH

