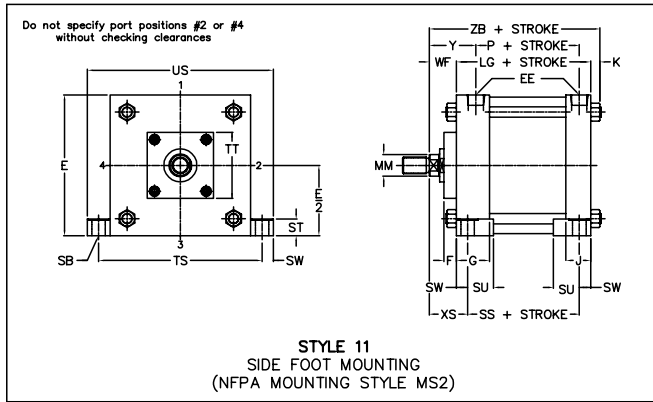




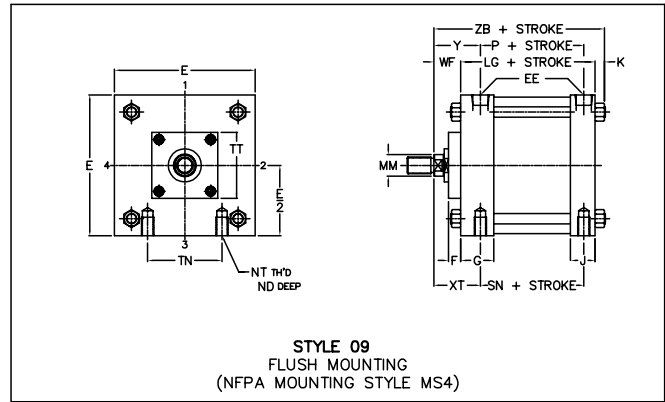
FOOT AND FLUSH MOUNTED CYLINDERS

8" TO 12" BORE SERIES JHD AND LSSL AIR CYLINDERS

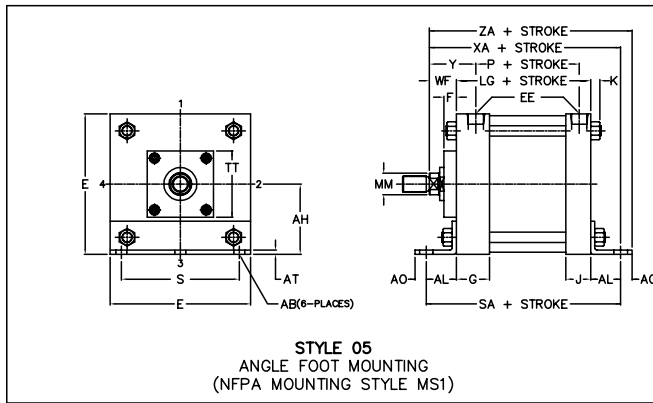
AVAILABLE IN STANDARD CONSTRUCTION AND ALL STAINLESS STEEL DESIGN!



Standard Port location is Position 1.
Standard Cushion location is Position 2.



Standard Port location is Position 1.
Standard Cushion location is Position 2.



Standard Port location is Position 1.
Standard Cushion location is Position 2.

For **ROD END** Styles and dimensional drawings, see p.23

ENVELOPE AND MOUNTING DIMENSIONS NOT AFFECTED BY ROD DIAMETER

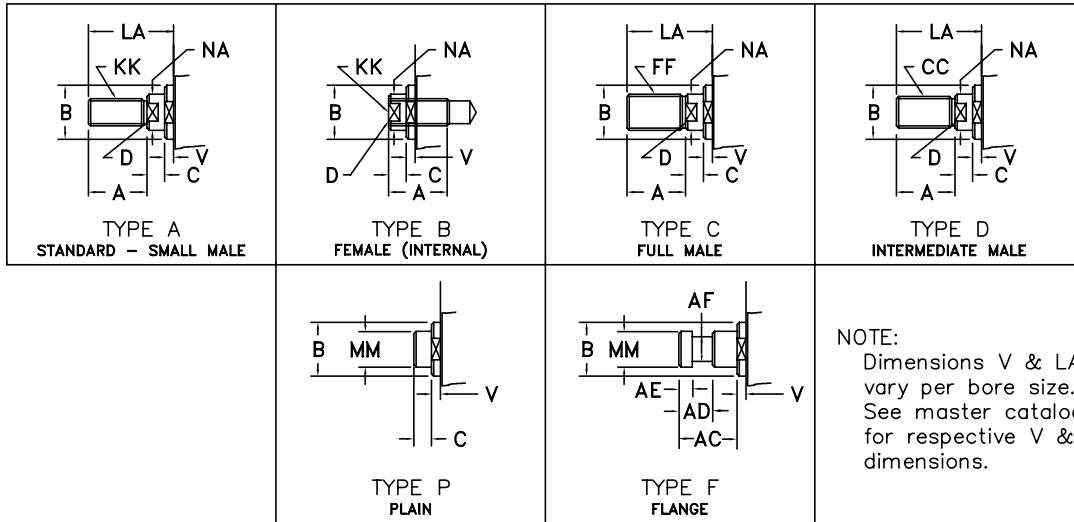
BORE	AB	AH	AL	AO	AT	E	EE	G	J	K	ND	NT	S	SB	ST	SU	SW	TN	TS	US	LG	P	SA	SN	SS
8	13/16	4 1/4	1 13/16	11/16	1/4	8 1/2	3/4	2	1 1/2	9/16	1 1/8	3/4-10	7 1/8	13/16	1	1 9/16	11/16	4 1/2	9 7/8	11 1/4	5 1/8	3 1/4	8 3/4	3 1/4	3 3/4
10	1 1/16	5 5/16	2 1/8	7/8	1/4	10 5/8	1	2 1/4	2	11/16	1 1/2	1-8	8 7/8	1 1/16	1 1/4	2	7/8	5 1/2	12 3/8	14 1/8	6 3/8	4 1/8	10 5/8	4 1/8	4 5/8
12	1 1/16	6 3/8	2 1/8	7/8	3/8	12 3/4	1	2 1/4	2	11/16	1 1/2	1-8	11	1 1/16	1 1/4	2	7/8	7 1/4	14 1/2	16 1/4	6 7/8	4 5/8	11 1/8	4 5/8	5 1/8

DIMENSIONS AFFECTED BY ROD DIAMETER

BORE	ROD DIA. MM	THREAD SIZE			ROD AND PILOT DIMENSIONS								ENVELOPE DIMENSIONS							
		KK	CC	FF	A	B +0.000 -0.002	C	D	F	LA	NA	V	TT	WF	Y	XS	XT	XA	ZA	ZB
8	1 3/8	1-14	1 1/4-12	1 3/8-12	1 5/8	1.999	5/8	1 1/8	3/4	2 1/2	1 5/16	1/4	4	1 5/8	2 13/16	2 5/16	2 13/16	8 9/16	9 1/4	7 5/16
	1 3/4	1 1/4-12	1 1/2-12	1 3/4-12	2	2.374	3/4	1 1/2	3/4	3 1/8	1 11/16	3/8	4	1 7/8	3 1/16	2 9/16	3 1/16	8 13/16	9 1/2	7 9/16
	2	1 1/2-12	1 3/4-12	2-12	2 1/4	2.624	7/8	1 11/16	3/4	3 1/2	1 15/16	3/8	4	2	3 3/16	2 11/16	3 3/16	8 15/16	9 5/8	7 11/16
	2 1/2	1 7/8-12	2 1/4-12	2 1/2-12	3	3.124	1	2 1/16	3/4	4 1/2	2 3/8	1/2	4	2 1/4	3 7/16	2 15/16	3 7/16	9 3/16	9 7/8	7 15/16
10	1 3/4	1 1/4-12	1 1/2-12	1 3/4-12	2	2.374	3/4	1 1/2	3/4	3 1/8	1 11/16	3/8	4	1 7/8	3 1/8	2 3/4	3 1/8	10 3/8	11 1/4	8 15/16
	2	1 1/2-12	1 3/4-12	2-12	2 1/4	2.624	7/8	1 11/16	3/4	3 1/2	1 15/16	3/8	4	2	3 1/4	2 7/8	3 1/4	10 1/2	11 3/8	9 1/16
	2 1/2	1 7/8-12	2 1/4-12	2 1/2-12	3	3.124	1	2 1/16	3/4	4 1/2	2 3/8	1/2	4	2 1/4	3 1/2	3 1/8	3 1/2	10 3/4	11 5/8	9 5/16
	3	2 1/4-12	2 3/4-12	3-12	3 1/2	3.749	1	2 5/8	3/4	5	2 7/8	1/2	5 1/2	2 1/4	3 1/2	3 1/8	3 1/2	10 3/4	11 5/8	9 5/16
12	2	1 1/2-12	1 3/4-12	2-12	2 1/4	2.624	7/8	1 11/16	3/4	3 1/2	1 15/16	3/8	4	2	3 1/4	2 7/8	3 1/4	11	11 7/8	9 9/16
	2 1/2	1 7/8-12	2 1/4-12	2 1/2-12	3	3.124	1	2 1/16	3/4	4 1/2	2 3/8	1/2	4	2 1/4	3 1/2	3 1/8	3 1/2	11 1/4	12 1/8	9 13/16
	3	2 1/4-12	2 3/4-12	3-12	3 1/2	3.749	1	2 5/8	3/4	5	2 7/8	1/2	5 1/2	2 1/4	3 1/2	3 1/8	3 1/2	11 1/4	12 1/8	9 13/16
	3 1/2	2 1/2-12	3 1/4-12	3 1/2-12	3 1/2	4.249	1	3	3/4	5	3 3/8	1/2	5 1/2	2 1/4	3 1/2	3 1/8	3 1/2	11 1/4	12 1/8	9 13/16

FIRST ROD SIZE SHOWN FOR EACH BORE SIZE IS STANDARD ROD

ROD END STYLES



NOTE:
 Dimensions V & LA
 vary per bore size.
 See master catalogs
 for respective V & LA
 dimensions.

TYPE F FLANGED ROD END DIMENSIONS

ROD DIA. MM	A	AC	AD	AE <small>+000 -003</small>	AF	B <small>+000 -002</small>	C	D	NA	CC	FF	KK
.62	.75	1.12	.82	.250	.38	1.124	.38	.500	.562	.50-20	.625-18	.437-20
1.00	1.13	1.62	.94	.375	.69	1.499	.50	.875	9.37	.875-14	1.00-14	.75-16
1.38	1.63	1.75	1.06	.375	.88	1.999	.62	1.125	1.312	1.25-12	1.375-12	1.00-14
1.75	2.00	2.00	1.31	.500	1.12	2.374	.75	1.500	1.687	1.50-12	1.75-12	1.25-12
2.00	2.25	2.62	1.69	.625	1.38	2.624	.88	1.687	1.937	1.75-12	2.00-12	1.50-12
2.50	3.00	3.25	1.94	.750	1.75	3.124	1.0	2.062	2.375	2.25-12	2.50-12	1.875-12
3.00	3.50	3.62	2.44	.875	2.25	3.749	1.0	2.625	2.875	2.75-12	3.00-12	2.25-12
3.50	3.50	4.38	2.69	1.000	2.50	4.249	1.0	3.000	3.375	3.25-12	3.50-12	2.50-12
4.00	4.00	4.50	2.69	1.000	3.00	4.749	1.0	3.375	3.875	3.75-12	4.00-12	3.00-12
4.50	4.50	5.25	3.19	1.500	3.50	5.249	1.0	3.875	4.375	4.25-12	4.50-12	3.25-12
5.00	5.00	5.38	3.19	1.500	3.88	5.749	1.0	4.250	4.875	4.75-12	5.00-12	3.50-12
5.50	5.50	6.25	3.94	1.875	4.38	6.249	1.0	4.625	5.375	5.25-12	5.50-12	4.00-12
7.00	7.00	6.50	4.06	2.000	5.75	7.999	1.0	N/A	6.875	6.75-12	7.00-12	5.00-12
8.00	8.00	6.50	4.06	2.000	6.50	8.999	1.0	N/A	7.875	7.50-12	8.00-12	5.75-12
8.50	8.50	6.50	4.06	2.000	6.50	9.499	1.0	N/A	8.375	8.25-12	8.50-12	6.00-12
10.00	10.00	7.25	4.62	2.375	8.00	10.999	1.0	N/A	9.875	9.75-12	10.00-12	7.00-12

N/A = NOT APPLICABLE TO THIS SIZE

Additional Rod End Styles are available. Please forward your requirements.

ROD END STYLES