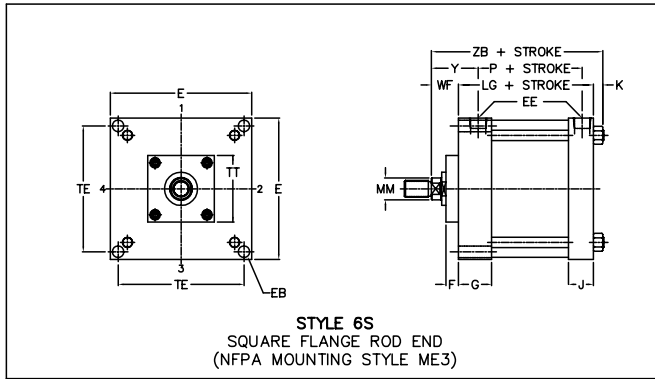




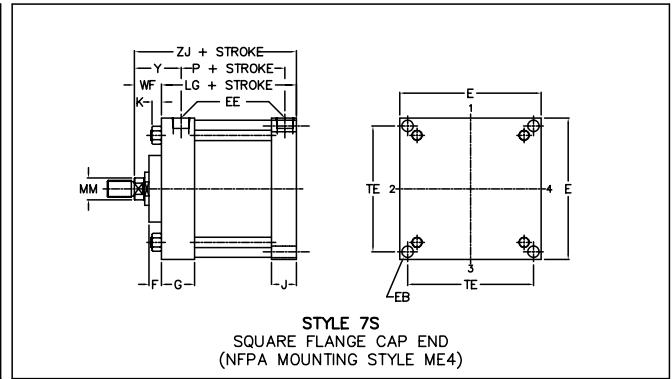
# FLANGE MOUNTED CYLINDERS

## 8" TO 12" BORE SERIES JHD AND LSSL AIR CYLINDERS

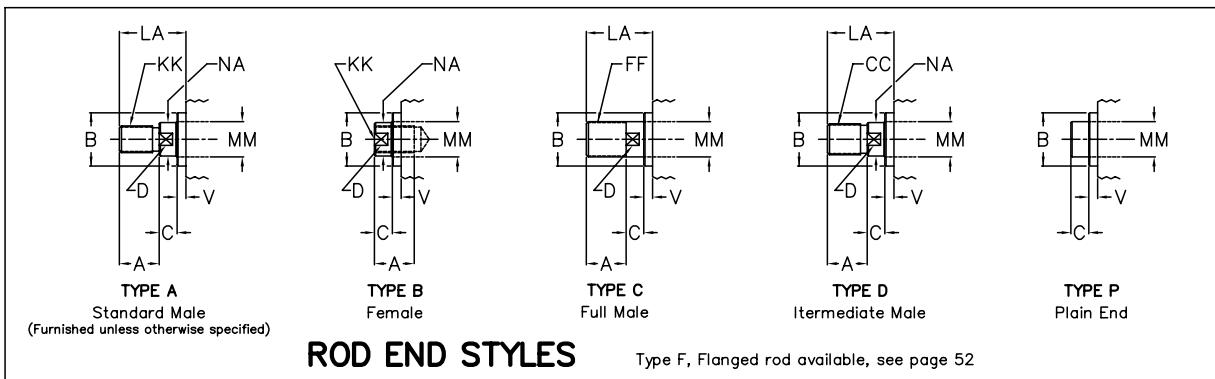
**AVAILABLE IN STANDARD CONSTRUCTION AND ALL STAINLESS STEEL DESIGN!**



Standard Port location is Position 1.  
Standard Cushion location is Position 2.



Standard Port location is Position 1.  
Standard Cushion location is Position 2.



### ENVELOPE AND MOUNTING DIMENSIONS NOT AFFECTED BY ROD DIAMETER

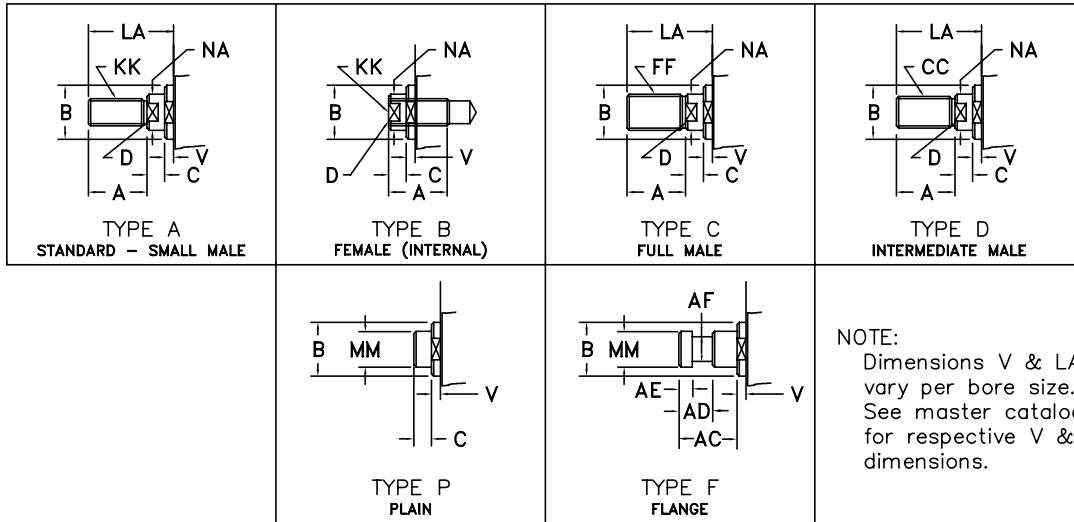
BORE	E	EE (NPTF)	EB	G	J	K	TE	P	
								LG	ADD STROKE
8	8 1/2	3/4	11/16	2	1 1/2	9/16	7.57	5 1/8	3 1/4
10	10 5/8	1	13/16	2 1/4	2	11/16	9.40	6 3/8	4 1/8
12	12 3/4	1	13/16	2 1/4	2	11/16	11.10	6 7/8	4 5/8

### DIMENSIONS AFFECTED BY ROD DIAMETER

BORE	ROD DIA. MM	THREAD SIZE			ROD AND PILOT DIMENSIONS								ENVELOPE DIMENSIONS				
		KK STD	CC	FF	A	B +0.000 -0.002	C	D	F	LA	NA	V	TT	WF	Y	ZB	ZJ
																ADD STROKE	
8	1 3/8	1-14	1 1/4-12	1 3/8-12	1 5/8	1.999	5/8	1 1/8	3/4	2 1/2	1 5/16	1/4	4	1 5/8	2 13/16	7 5/16	6 3/4
	1 3/4	1 1/4-12	1 1/2-12	1 3/4-12	2	2.374	3/4	1 1/2	3/4	3 1/8	1 11/16	3/8	4	1 7/8	3 1/16	7 9/16	7
	2	1 1/2-12	1 3/4-12	2-12	2 1/4	2.624	7/8	1 11/16	3/4	3 1/2	1 15/16	3/8	4	2	3 3/16	7 11/16	7 1/8
	2 1/2	1 7/8-12	2 1/4-12	2 1/2-12	3	3.124	1	2 1/16	3/4	4 1/2	2 3/8	1/2	4	2 1/4	3 7/16	7 15/16	7 3/8
10	1 3/4	1 1/4-12	1 1/2-12	1 3/4-12	2	2.374	3/4	1 1/2	3/4	3 1/8	1 11/16	3/8	4	1 7/8	3 1/8	8 15/16	8 1/4
	2	1 1/2-12	1 3/4-12	2-12	2 1/4	2.624	7/8	1 11/16	3/4	3 1/2	1 15/16	3/8	4	2	3 1/4	9 1/16	8 3/8
	2 1/2	1 7/8-12	2 1/4-12	2 1/2-12	3	3.124	1	2 1/16	3/4	4 1/2	2 3/8	1/2	4	2 1/4	3 1/2	9 5/16	8 5/8
	3	2 1/4-12	2 3/4-12	3-12	3 1/2	3.749	1	2 5/8	3/4	5	2 7/8	1/2	5 1/2	2 1/4	3 1/2	9 5/16	8 5/8
12	2	1 1/2-12	1 3/4-12	2-12	2 1/4	2.624	7/8	1 11/16	3/4	3 1/2	1 15/16	3/8	4	2	3 1/4	9 9/16	8 7/8
	2 1/2	1 7/8-12	2 1/4-12	2 1/2-12	3	3.124	1	2 1/16	3/4	4 1/2	2 3/8	1/2	4	2 1/4	3 1/2	9 13/16	9 1/8
	3	2 1/4-12	2 3/4-12	3-12	3 1/2	3.749	1	2 5/8	3/4	5	2 7/8	1/2	5 1/2	2 1/4	3 1/2	9 13/16	9 1/8
	3 1/2	2 1/2-12	3 1/4-12	3 1/2-12	3 1/2	4.249	1	3	3/4	5	3 3/8	1/2	5 1/2	2 1/4	3 1/2	9 13/16	9 1/8

FIRST ROD SIZE SHOWN FOR EACH BORE SIZE IS STANDARD ROD

# ROD END STYLES



NOTE:  
 Dimensions V & LA  
 vary per bore size.  
 See master catalogs  
 for respective V & LA  
 dimensions.

TYPE F FLANGED ROD END DIMENSIONS

ROD DIA. MM	A	AC	AD	AE <small>+000 -003</small>	AF	B <small>+000 -002</small>	C	D	NA	CC	FF	KK
.62	.75	1.12	.82	.250	.38	1.124	.38	.500	.562	.50-20	.625-18	.437-20
1.00	1.13	1.62	.94	.375	.69	1.499	.50	.875	9.37	.875-14	1.00-14	.75-16
1.38	1.63	1.75	1.06	.375	.88	1.999	.62	1.125	1.312	1.25-12	1.375-12	1.00-14
1.75	2.00	2.00	1.31	.500	1.12	2.374	.75	1.500	1.687	1.50-12	1.75-12	1.25-12
2.00	2.25	2.62	1.69	.625	1.38	2.624	.88	1.687	1.937	1.75-12	2.00-12	1.50-12
2.50	3.00	3.25	1.94	.750	1.75	3.124	1.0	2.062	2.375	2.25-12	2.50-12	1.875-12
3.00	3.50	3.62	2.44	.875	2.25	3.749	1.0	2.625	2.875	2.75-12	3.00-12	2.25-12
3.50	3.50	4.38	2.69	1.000	2.50	4.249	1.0	3.000	3.375	3.25-12	3.50-12	2.50-12
4.00	4.00	4.50	2.69	1.000	3.00	4.749	1.0	3.375	3.875	3.75-12	4.00-12	3.00-12
4.50	4.50	5.25	3.19	1.500	3.50	5.249	1.0	3.875	4.375	4.25-12	4.50-12	3.25-12
5.00	5.00	5.38	3.19	1.500	3.88	5.749	1.0	4.250	4.875	4.75-12	5.00-12	3.50-12
5.50	5.50	6.25	3.94	1.875	4.38	6.249	1.0	4.625	5.375	5.25-12	5.50-12	4.00-12
7.00	7.00	6.50	4.06	2.000	5.75	7.999	1.0	N/A	6.875	6.75-12	7.00-12	5.00-12
8.00	8.00	6.50	4.06	2.000	6.50	8.999	1.0	N/A	7.875	7.50-12	8.00-12	5.75-12
8.50	8.50	6.50	4.06	2.000	6.50	9.499	1.0	N/A	8.375	8.25-12	8.50-12	6.00-12
10.00	10.00	7.25	4.62	2.375	8.00	10.999	1.0	N/A	9.875	9.75-12	10.00-12	7.00-12

N/A = NOT APPLICABLE TO THIS SIZE

Additional Rod End Styles are available. Please forward your requirements.

# ROD END STYLES