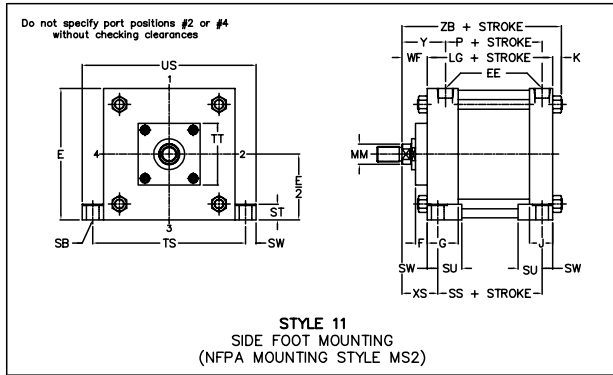




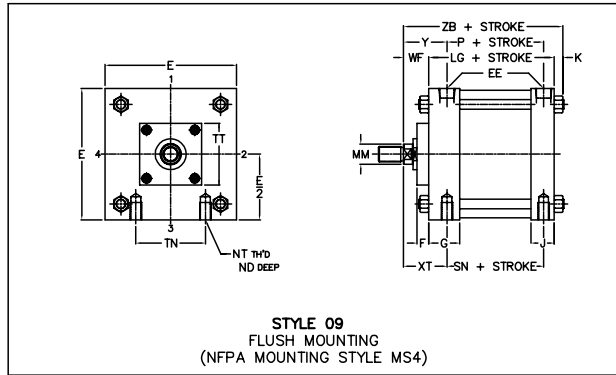
# FOOT AND FLUSH MOUNTED CYLINDERS

## 14" TO 20" BORE SERIES JHD AND LSSL AIR CYLINDERS

**AVAILABLE IN STANDARD CONSTRUCTION AND ALL STAINLESS STEEL DESIGN!**

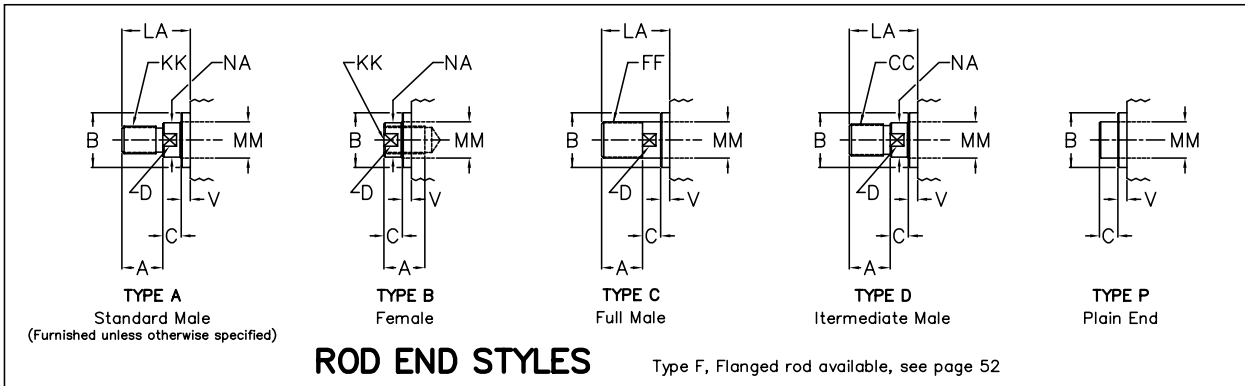


Standard Port location is Position 1.  
Standard Cushion location is Position 2.



Standard Port location is Position 1.  
Standard Cushion location is Position 2.

NOTE: THE 14" BORE USES FOUR (4) TIE RODS. BORE SIZES 16"-18"-20" USE EIGHT (8) TIE RODS. (SEE ILLUSTRATIONS ON P.29)



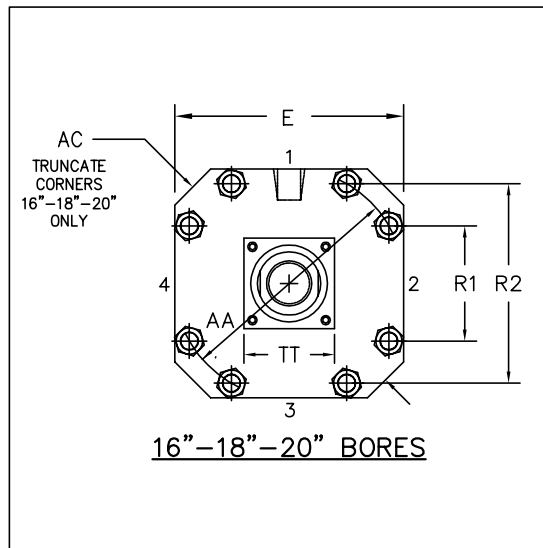
### ENVELOPE AND MOUNTING DIMENSIONS NOT AFFECTED BY ROD DIAMETER

BORE	NUM. TIE RODS	E	EE (NPTF)	G	J	K	ND	NT	SB	ST	SU	SW	TN	TS	US	LG	P	SN	SS
14	4	14 3/4	1 1/4	2 3/4	2 1/4	3/4	1 7/8	1 1/4-7	1 5/16	1 1/2	2 1/2	1 1/8	8 3/8	17	19 1/4	8 1/8	5 1/2	5 1/2	5 7/8
16	8	17 1/2	1 1/4	2 3/4	2 3/4	7/8	3	1 3/4-12	1 13/16	2	3 1/2	1 3/4	7	21	24 1/2	8 7/8	5 3/4	6 1/8	5 3/8
18	8	19 1/2	1 1/2	3 1/4	3 1/4	7/8	3 1/4	2-12	2 1/16	2 1/2	3 1/2	2	8	23 1/2	27 1/2	9 7/8	6 3/8	6 5/8	5 7/8
20	8	21 1/2	2	3 3/4	3 3/4	1	3 3/4	2 1/4-12	2 5/16	3	3 5/8	2 3/8	8 1/2	26 1/4	31	11 3/8	7 3/8	7 3/8	6 5/8

### DIMENSIONS AFFECTED BY ROD DIAMETER

BORE	ROD DIA. MM	THREAD SIZE			ROD AND PILOT DIMENSIONS								ENVELOPE DIMENSIONS					
		KK STD	CC	FF	A	B +.000 -002	C	D	F	LA	NA	V	TT	WF	Y	XS	XT	ZB ADD STROKE
14	2 1/2	1 7/8-12	2 1/4-12	2 1/2-12	3	3.124	1	2 1/16	3/4	4 1/2	2 3/8	1/2	4	2 1/4	3 13/16	3 3/8	3 13/16	11 1/8
	3	2 1/4-12	2 3/4-12	3-12	3 1/2	3.749	1	2 5/8	3/4	5	2 7/8	1/2	5 1/2	2 1/4	3 13/16	3 3/8	3 13/16	11 1/8
	3 1/2	2 1/2-12	3 1/4-12	3 1/2-12	3 1/2	4.249	1	3	3/4	5	3 3/8	1/2	5 1/2	2 1/4	3 13/16	3 3/8	3 13/16	11 1/8
	4	3-12	3 3/4-12	4-12	4	4.749	1	3 3/8	1	5 1/4	3 7/8	1/4	7 1/2	2 1/4	3 13/16	3 3/8	3 13/16	11 1/8
16	3	2 1/4-12	2 3/4-12	3-12	3 1/2	3.749	1	2 5/8	3/4	5	2 7/8	1/2	5 1/2	2 1/4	3 13/16	4	3 5/8	12
	3 1/2	2 1/2-12	3 1/4-12	3 1/2-12	3 1/2	4.249	1	3	3/4	5	3 3/8	1/2	5 1/2	2 1/4	3 13/16	4	3 5/8	12
	4	3-12	3 3/4-12	4-12	4	4.749	1	3 3/8	1	5 1/4	3 7/8	1/4	7 1/2	2 1/4	3 13/16	4	3 5/8	12
	5	3 1/2-12	4 3/4-12	5-12	5	5.749	1	4 1/4	1	6 1/4	4 7/8	1/4	8 1/2	2 1/4	3 13/16	4	3 5/8	12
18	3 1/2	2 1/2-12	3 1/4-12	3 1/2-12	3 1/2	4.249	1	3	3/4	5	3 3/8	1/2	5 1/2	2 1/4	4	4 1/4	3 7/8	13
	4	3-12	3 3/4-12	4-12	4	4.749	1	3 3/8	1	5 1/4	3 7/8	1/4	7 1/2	2 1/4	4	4 1/4	3 7/8	13
	5	3 1/2-12	4 3/4-12	5-12	5	5.749	1	4 1/4	1	6 1/4	4 7/8	1/4	8 1/2	2 1/4	4	4 1/4	3 7/8	13
	5 1/2	4-12	5 1/4-12	5 1/2-12	5 1/2	6.249	1	4 5/8	1	6 3/4	5 3/8	1/4	9 1/2	2 1/4	4	4 1/4	3 7/8	13
20	3 1/2	2 1/2-12	3 1/4-12	3 1/2-12	3 1/2	4.249	1	3	3/4	5	3 3/8	1/2	5 1/2	2 1/4	4 1/4	4 5/8	4 1/4	14 5/8
	4	3-12	3 3/4-12	4-12	4	4.749	1	3 3/8	1	5 1/4	3 7/8	1/4	7 1/2	2 1/4	4 1/4	4 5/8	4 1/4	14 5/8
	5	3 1/2-12	4 3/4-12	5-12	5	5.749	1	4 1/4	1	6 1/4	4 7/8	1/4	8 1/2	2 1/4	4 1/4	4 5/8	4 1/4	14 5/8
	5 1/2	4-12	5 1/4-12	5 1/2-12	5 1/2	6.249	1	4 5/8	1	6 3/4	5 3/8	1/4	9 1/2	2 1/4	4 1/4	4 5/8	4 1/4	14 5/8

NPT PORTS FURNISHED UNLESS OTHERWISE SPECIFIED  
FIRST ROD SIZE SHOWN FOR EACH BORE SIZE IS STANDARD ROD



Standard Port location is Position 1.  
Standard Cushion location Position 2.

BORE	NUM. TIE RODS	AA	AC	BB	DD	E	EE (NPTF)	G	J	K	R	R1	R2	LF	LG	P
														ADD STROKE		
14	4	15.40	-	3 3/16	7/8-14	14 3/4	1 1/4	2 3/4	2 1/4	3/4	10.90	-	-	8 5/8	8 1/8	5 1/2
16	8	18.19	20 1/2	3 5/8	1-14	17 1/2	1 1/4	2 3/4	2 3/4	7/8	-	10.25	15.02	8 7/8	8 7/8	5 3/4
18	8	20.19	22 1/2	4 1/16	1-14	19 1/2	1 1/2	3 1/4	3 1/4	7/8	-	11.50	16.59	9 7/8	9 7/8	6 3/8
20	8	22.31	25	4 3/8	1 1/8-12	21 1/2	2	3 3/4	3 3/4	1	-	12.62	18.40	11 3/8	11 3/8	7 3/8