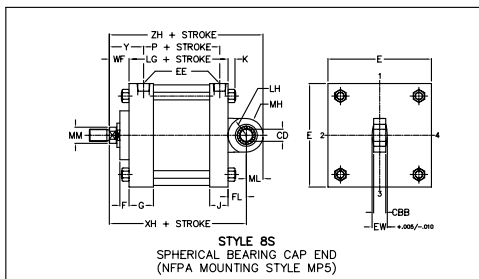
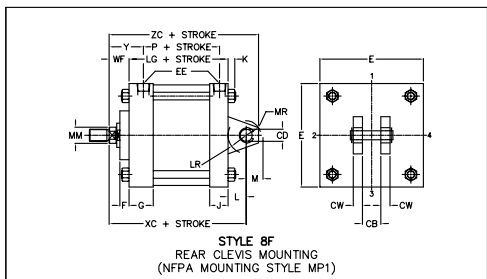




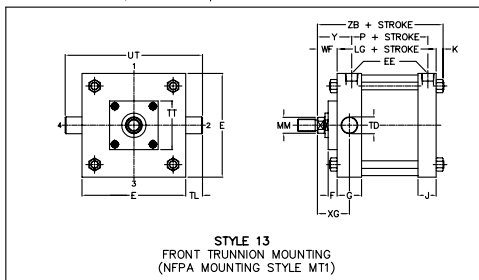
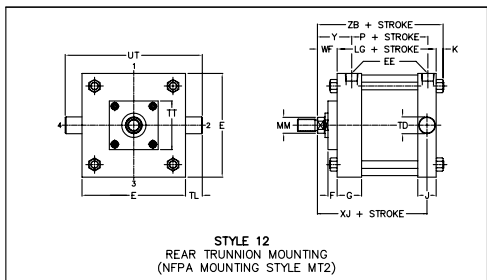
CLEVIS AND TRUNNION MOUNTED CYLINDERS

14" TO 20" BORE SERIES JHD AND LSSL AIR CYLINDERS

AVAILABLE IN STANDARD CONSTRUCTION AND ALL STAINLESS STEEL DESIGN!

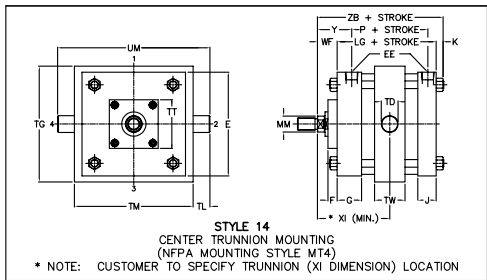


Standard Port location is Position 1. Standard Cushion location is Position 2. Rod End, and Position 2. Cap End



Standard Port location is Position 1. Standard Cushion location is Position 2. Rod End, Position 3, Cap End

Standard Port location is Position 1. Standard Cushion location is Position 3, Rod End, Position 2, Cap End



Standard Port location is Position 1. Standard Cushion location is Position 2.

NOTE:
THE 14" BORE USES FOUR (4) TIE RODS.
BORE SIZES 16"-18"-20" USE EIGHT (8) TIE RODS.
(SEE ILLUSTRATIONS ON P.29)

For ROD END Styles and dimensional drawings, see p.30

ENVELOPE AND MOUNTING DIMENSIONS NOT AFFECTED BY ROD DIAMETER

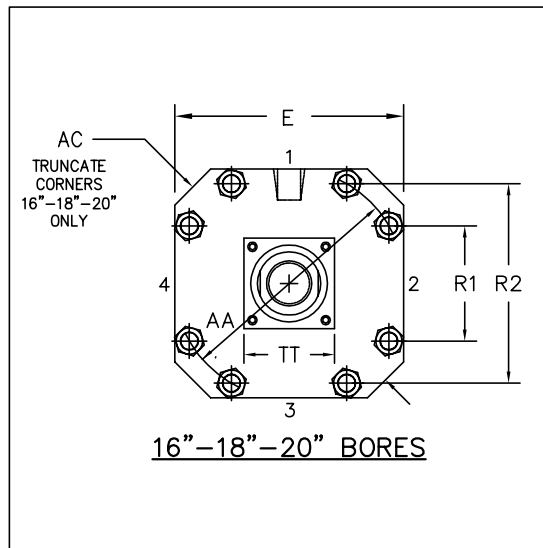
BORE	NUM. TIE RODS	CB	CBB	CD * +0.000 -0.002	CW	E	EE (NPTF)	EW	FL	G	J	K	L	LH	LR	M	MH	ML	MR	TD ** +0.000 -0.001	TL	TG	TM	TW	UM	UT	LG	P
																											ADD STROKE	
14	4	2 1/2	1 1/2	2.000	1 1/4	14 3/4	1 1/4	1 3/4	2 1/2	2 3/4	2 1/4	3/4	2 1/2	2 1/4	2 1/4	2	3	3	2 3/16	2.000	2	16	16 1/4	3 1/2	20 1/4	18 3/4	8 1/8	5 1/2
16	8	3	1 7/8	2.500	1 1/2	17 1/2	1 1/4	2 3/16	3	2 3/4	2 3/4	7/8	3	2 3/4	2 1/2	3 1/2	3 1/2	2 5/8	2.500	2 1/2	-	-	-	-	22 1/2	8 7/8	5 3/4	
18	8	3	2 1/4	3.000	1 1/2	19 1/2	1 1/2	2 5/8	3 1/4	3 1/4	3 1/4	7/8	3 1/4	3	3 1/16	2 3/4	4 1/4	4 1/4	2 7/8	3.000	3	-	-	-	25 1/2	9 7/8	6 3/8	
20	8	3	2 1/4	3.000	1 1/2	21 1/2	2	2 5/8	3 1/4	3 3/4	3 3/4	1	3 1/4	3	3 1/16	2 3/4	4 1/4	4 1/4	2 7/8	3.500	3 1/2	-	-	-	28 1/2	11 3/8	7 3/8	

* CD IS PIN DIAMETER ** TD IS TRUNNION PIN DIAMETER

DIMENSIONS AFFECTED BY ROD DIAMETER

BORE	ROD DIA. MM	THREAD SIZE			ROD AND PILOT DIMENSIONS										ENVELOPE DIMENSIONS									
		KK STD	CC	FF	A	B +0.000 -0.002	C	D	F	LA	NA	V	TT	WF	Y	XG	XI MIN.	XC	XH	XJ	ZB	ZC	ZH	
																								ADD STROKE
14	2 1/2	1 7/8-12	2 1/4-12	2 1/2-12	3	3.124	1	2 1/16	3/4	4 1/2	2 3/8	1/2	4	2 1/4	3 13/16	3 5/8	6 3/4	12 7/8	12 7/8	9 1/4	11 1/8	14 7/8	15 7/8	
	3	2 1/4-12	2 3/4-12	3-12	3 1/2	3.749	1	2 5/8	3/4	5	2 7/8	1/2	5 1/2	2 1/4	3 13/16	3 5/8	6 3/4	12 7/8	12 7/8	9 1/4	11 1/8	14 7/8	15 7/8	
	3 1/2	2 1/2-12	3 1/4-12	3 1/2-12	3 1/2	4.249	1	3	3/4	5	3 3/8	1/2	5 1/2	2 1/4	3 13/16	3 5/8	6 3/4	12 7/8	12 7/8	9 1/4	11 1/8	14 7/8	15 7/8	
	4	3-12	3 3/4-12	4-12	4	4.749	1	3 3/8	1	5 1/4	3 7/8	1/4	7 1/2	2 1/4	3 13/16	3 5/8	6 3/4	12 7/8	12 7/8	9 1/4	11 1/8	14 7/8	15 7/8	
16	3	2 1/4-12	2 3/4-12	3-12	3 1/2	3.749	1	2 5/8	3/4	5	2 7/8	1/2	5 1/2	2 1/4	3 13/16	3 5/8	-	14 1/8	14 1/8	9 3/4	12	16 5/8	17 5/8	
	3 1/2	2 1/2-12	3 1/4-12	3 1/2-12	3 1/2	4.249	1	3	3/4	5	3 3/8	1/2	5 1/2	2 1/4	3 13/16	3 5/8	-	14 1/8	14 1/8	9 3/4	12	16 5/8	17 5/8	
	4	3-12	3 3/4-12	4-12	4	4.749	1	3 3/8	1	5 1/4	3 7/8	1/4	7 1/2	2 1/4	3 13/16	3 5/8	-	14 1/8	14 1/8	9 3/4	12	16 5/8	17 5/8	
18	5	3 1/2-12	4 3/4-12	5-12	5	5.749	1	4 1/4	1	6 1/4	4 7/8	1/4	8 1/2	2 1/4	3 13/16	3 5/8	-	14 1/8	14 1/8	9 3/4	12	16 5/8	17 5/8	
	3 1/2	2 1/2-12	3 1/4-12	3 1/2-12	3 1/2	4.249	1	3	3/4	5	3 3/8	1/2	5 1/2	2 1/4	4	3 7/8	-	15 3/8	15 3/8	10 1/2	13	18 1/8	19 5/8	
	4	3-12	3 3/4-12	4-12	4	4.749	1	3 3/8	1	5 1/4	3 7/8	1/4	7 1/2	2 1/4	4	3 7/8	-	15 3/8	15 3/8	10 1/2	13	18 1/8	19 5/8	
	5 1/2	4-12	5 1/4-12	5 1/2-12	5 1/2	6.249	1	4 5/8	1	6 3/4	5 3/8	1/4	9 1/2	2 1/4	4	3 7/8	-	15 3/8	15 3/8	10 1/2	13	18 1/8	19 5/8	
20	3 1/2	2 1/2-12	3 1/4-12	3 1/2-12	3 1/2	4.249	1	3	3/4	5	3 3/8	1/2	5 1/2	2 1/4	4 1/4	4 1/8	-	16 7/8	16 7/8	11 3/4	14 5/8	19 5/8	21 1/8	
	4	3-12	3 3/4-12	4-12	4	4.749	1	3 3/8	1	5 1/4	3 7/8	1/4	7 1/2	2 1/4	4 1/4	4 1/8	-	16 7/8	16 7/8	11 3/4	14 5/8	19 5/8	21 1/8	
	5	3 1/2-12	4 3/4-12	5-12	5	5.749	1	4 1/4	1	6 1/4	4 7/8	1/4	8 1/2	2 1/4	4 1/4	4 1/8	-	16 7/8	16 7/8	11 3/4	14 5/8	19 5/8	21 1/8	
	5 1/2	4-12	5 1/4-12	5 1/2-12	5 1/2	6.249	1	4 5/8	1	6 3/4	5 3/8	1/4	9 1/2	2 1/4	4 1/4	4 1/8	-	16 7/8	16 7/8	11 3/4	14 5/8	19 5/8	21 1/8	

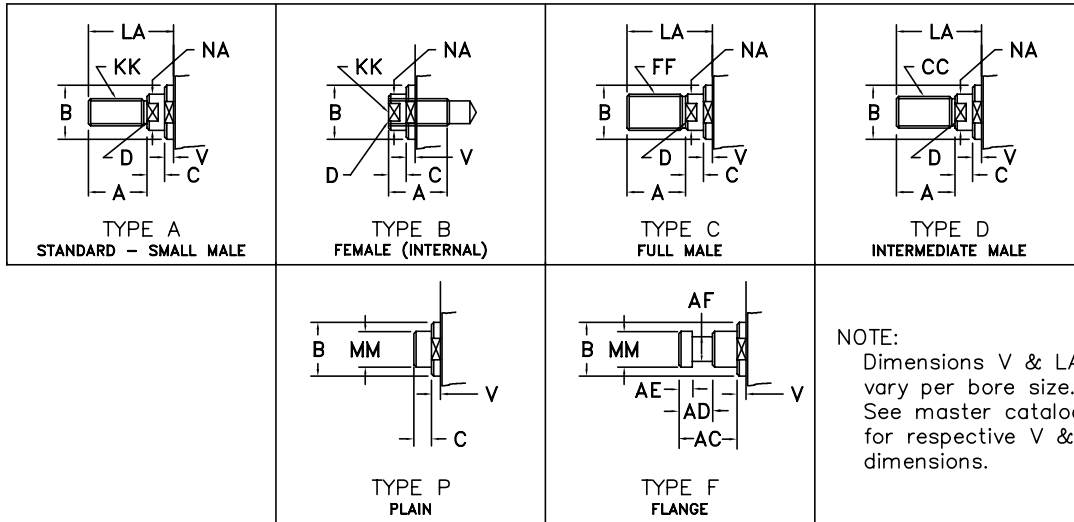
NPT PORTS FURNISHED UNLESS OTHERWISE SPECIFIED FIRST ROD SIZE SHOWN FOR EACH BORE SIZE IS STANDARD



Standard Port location is Position 1.
Standard Cushion location Position 2.

BORE	NUM. TIE RODS	AA	AC	BB	DD	E	EE (NPTF)	G	J	K	R	R1	R2	LF	LG	P
														ADD STROKE		
14	4	15.40	-	3 3/16	7/8-14	14 3/4	1 1/4	2 3/4	2 1/4	3/4	10.90	-	-	8 5/8	8 1/8	5 1/2
16	8	18.19	20 1/2	3 5/8	1-14	17 1/2	1 1/4	2 3/4	2 3/4	7/8	-	10.25	15.02	8 7/8	8 7/8	5 3/4
18	8	20.19	22 1/2	4 1/16	1-14	19 1/2	1 1/2	3 1/4	3 1/4	7/8	-	11.50	16.59	9 7/8	9 7/8	6 3/8
20	8	22.31	25	4 3/8	1 1/8-12	21 1/2	2	3 3/4	3 3/4	1	-	12.62	18.40	11 3/8	11 3/8	7 3/8

ROD END STYLES



NOTE:
 Dimensions V & LA
 vary per bore size.
 See master catalogs
 for respective V & LA
 dimensions.

TYPE F FLANGED ROD END DIMENSIONS

ROD DIA. MM	A	AC	AD	AE <small>+000 -003</small>	AF	B <small>+000 -002</small>	C	D	NA	CC	FF	KK
.62	.75	1.12	.82	.250	.38	1.124	.38	.500	.562	.50-20	.625-18	.437-20
1.00	1.13	1.62	.94	.375	.69	1.499	.50	.875	9.37	.875-14	1.00-14	.75-16
1.38	1.63	1.75	1.06	.375	.88	1.999	.62	1.125	1.312	1.25-12	1.375-12	1.00-14
1.75	2.00	2.00	1.31	.500	1.12	2.374	.75	1.500	1.687	1.50-12	1.75-12	1.25-12
2.00	2.25	2.62	1.69	.625	1.38	2.624	.88	1.687	1.937	1.75-12	2.00-12	1.50-12
2.50	3.00	3.25	1.94	.750	1.75	3.124	1.0	2.062	2.375	2.25-12	2.50-12	1.875-12
3.00	3.50	3.62	2.44	.875	2.25	3.749	1.0	2.625	2.875	2.75-12	3.00-12	2.25-12
3.50	3.50	4.38	2.69	1.000	2.50	4.249	1.0	3.000	3.375	3.25-12	3.50-12	2.50-12
4.00	4.00	4.50	2.69	1.000	3.00	4.749	1.0	3.375	3.875	3.75-12	4.00-12	3.00-12
4.50	4.50	5.25	3.19	1.500	3.50	5.249	1.0	3.875	4.375	4.25-12	4.50-12	3.25-12
5.00	5.00	5.38	3.19	1.500	3.88	5.749	1.0	4.250	4.875	4.75-12	5.00-12	3.50-12
5.50	5.50	6.25	3.94	1.875	4.38	6.249	1.0	4.625	5.375	5.25-12	5.50-12	4.00-12
7.00	7.00	6.50	4.06	2.000	5.75	7.999	1.0	N/A	6.875	6.75-12	7.00-12	5.00-12
8.00	8.00	6.50	4.06	2.000	6.50	8.999	1.0	N/A	7.875	7.50-12	8.00-12	5.75-12
8.50	8.50	6.50	4.06	2.000	6.50	9.499	1.0	N/A	8.375	8.25-12	8.50-12	6.00-12
10.00	10.00	7.25	4.62	2.375	8.00	10.999	1.0	N/A	9.875	9.75-12	10.00-12	7.00-12

N/A = NOT APPLICABLE TO THIS SIZE

Additional Rod End Styles are available. Please forward your requirements.

ROD END STYLES



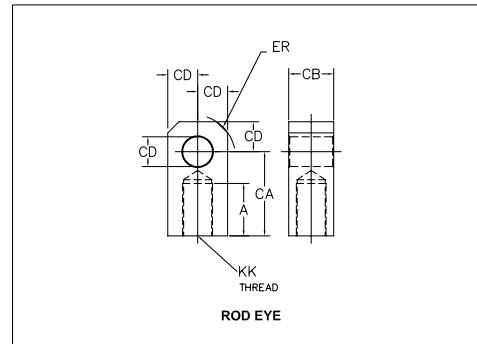
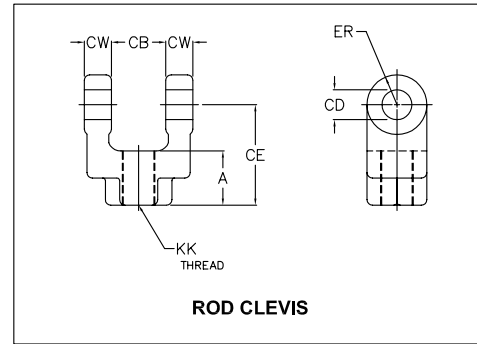
CAP AND ROD END MOUNTING ACCESSORIES

STANDARD AND STAINLESS STEEL

ROD END ACCESSORIES

ROD THREAD SIZE KK	ROD CLEVIS	ROD EYE	EYE BRACKET	PIVOT PIN	CLEVIS BRACKET
7/16-20	MACCL01	MACRE01	MACEB01	MACPN01	MACCB01
3/4-16	MACCL02	MACRE02	MACEB02	MACPN02	MACCB02
1-14	MACCL03	MACRE03	MACEB03	MACPN03	MACCB03
1 1/4-12	MACCL04	MACRE04	MACEB04	MACPN04	MACCB04
1 1/2-12	MACCL05	MACRE05	MACEB05	MACPN05	MACCB05
1 7/8-12	MACCL06	MACRE06	MACEB06	MACPN06	MACCB06
2 1/4-12	MACCL07	MACRE07	MACEB07	MACPN07	MACCB07
2 1/2-12	MACCL08	MACRE08	MACEB08	MACPN08	MACCB08
3 1/4-12	MACCL09	MACRE09	MACEB09	MACPN09	MACCB09
4-12	MACCL10	MACRE10	MACEB10	MACPN10	MACCB10

1. Rod Clevises and Rod Eyes are stocked to fit the standard "KK" rod thread (style A, Small Male). The "CC" thread for Type D (Intermediate Male) can be supplied on special order.
2. Rod Clevises are supplied with Pivot Pins as standard. Pivot Pins are not supplied with Rod Eyes or Eye Brackets. They must be ordered as separate items if desired.



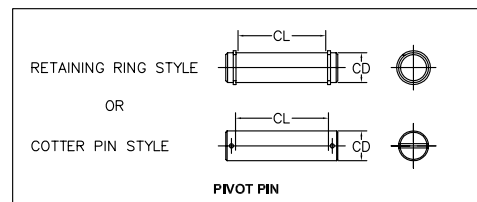
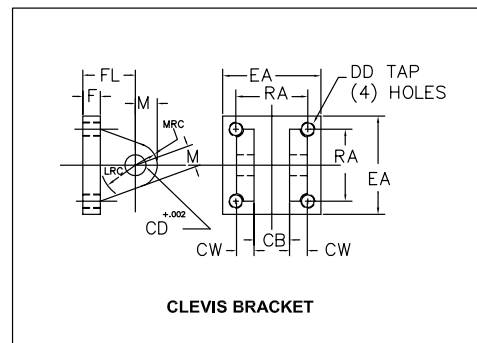
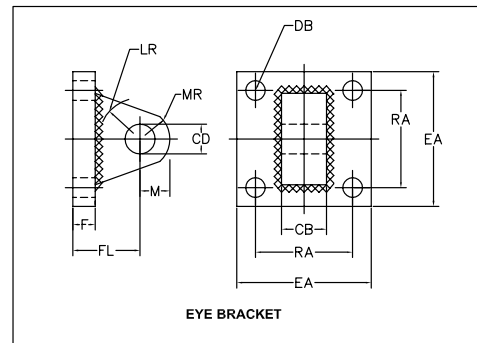
CAP END ACCESSORIES

CYLINDER BORE	EYE BRACKET	PIVOT PIN	CLEVIS BRACKET
1 1/2, 2, & 2 1/2	MACEB01	MACPN01	MACCB01
3 1/4, 4, & 5	MACEB02	MACPN02	MACCB02
6 & 8	MACEB03	MACPN03	MACCB03
10	MACEB04	MACPN04	MACCB04
12	MACEB05	MACPN05	MACCB05
14	MACEB06	MACPN06	MACCB06
16	MACEB07	MACPN07	MACCB07
18 & 20	MACEB08	MACPN08	MACCB08

1. Pivot Pins are not supplied with Eye Brackets. They must be ordered as separate items if desired.
2. Eye Brackets are designed to mate with cylinder mounting Style 8F (NFPA MP1) and Style 8D (NFPA MP2).
3. Clevis Brackets are designed to mate with cylinder mounting Style 8M (NFPA MP3) and Rod Eyes.

NOTE: STAINLESS STEEL

Part Numbers in the above charts are for standard Rod End and Cap End Accessories. All items are also available in **stainless steel**. For stainless steel accessories, add "S" to the end of the Part Number: e.g.; MACCL01 for standard Rod Clevis, MACCL01S for stainless steel Rod Clevis.



CAP AND ROD END MOUNTING ACCESSORIES (Cont.) STANDARD AND STAINLESS STEEL

ROD CLEVIS PART NUMBER

	MACCLO1	MACCLO2	MACCLO3	MACCLO4	MACCLO5	MACCLO6	MACCLO7	MACCLO8	MACCLO9	MACCLO10
A	3/4	1 1/8	1 5/8	2	2 1/4	3	3 1/2	3 1/2	4 1/2	5 1/2
CB	3/4	1 1/4	1 1/2	2	2 1/2	2 1/2	3	3	4	4 1/2
CD	1/2	3/4	1	1 3/8	1 3/4	2	2 1/2	3	3 1/2	4
CE	1 1/2	2 3/8	3 1/8	4 1/8	4 1/2	5 1/2	6 1/2	6 3/4	8 1/2	10
CW	1/2	5/8	3/4	1	1 1/4	1 1/4	1 1/2	1 1/2	2	2 1/4
ER	1/2	3/4	1	1 3/8	1 3/4	2	2 1/2	3	3 1/2	4
KK	7/16-20	3/4-16	1-14	1 1/4-12	1 1/2-12	1 7/8-12	2 1/4-12	2 1/2-12	3 1/4-12	4-12

ROD EYE PART NUMBER

	MACRE01	MACRE02	MACRE03	MACRE04	MACRE05	MACRE06	MACRE07	MACRE08	MACRE09	MACRE10
A	3/4	1 1/8	1 5/8	2	2 1/4	3	3 1/2	3 1/2	4 1/2	5 1/2
CA	1 1/2	2 1/16	2 13/16	3 7/16	4	5	5 13/16	6 1/8	7 5/8	9 1/8
CB	3/4	1 1/4	1 1/2	2	2 1/2	2 1/2	3	3	4	4 1/2
CD	1/2	3/4	1	1 3/8	1 3/4	2	2 1/2	3	3 1/2	4
ER	5/8	7/8	1 3/16	1 9/16	2	2 1/2	2 13/16	3 1/4	3 7/8	4 7/16
KK	7/16-20	3/4-16	1-14	1 1/4-12	1 1/2-12	1 7/8-12	2 1/4-12	2 1/2-12	3 1/4-12	4-12

EYE BRACKET PART NUMBER (MACEB) OR CLEVIS BRACKET PART NUMBER (MACCB)

	MACCB01	MACCB02	MACCB03	MACCB04	MACCB05	MACCB06	MACCB07	MACCB08	MACCB09	MACCB10
	MACEB01	MACEB02	MACEB03	MACEB04	MACEB05	MACEB06	MACEB07	MACEB08	MACEB09	MACEB10
CB	3/4	1 1/4	1 1/2	2	2 1/2	2 1/2	3	3	4	4 1/2
CD	1/2	3/4	1	1 3/8	1 3/4	2	2 1/2	3	3 1/2	4
CW	1/2	5/8	3/4	1	1 1/4	1 1/4	1 1/2	1 1/2	2	2 1/4
DB	13/32	17/32	21/32	21/32	29/32	1 1/16	1 3/16	1 5/16	1 13/16	2 1/16
DD	3/8-24	1/2-20	5/8-18	5/8-18	7/8-14	1-14	1 1/8-12	1 1/4-12	1 3/4-12	2-12
EA	2 1/2	3 1/2	4 1/2	5	6 1/2	7 1/2	8 1/2	9 1/2	12 5/8	14 7/8
F	3/8	5/8	3/4	7/8	7/8	1	1	1	1 11/16	1 15/16
FL	1 1/8	1 7/8	2 1/4	3	3 1/8	3 1/2	4	4 1/4	5 11/16	6 7/16
LR	3/4	1 1/4	1 1/2	2 1/8	2 1/4	2 1/2	3	3 1/4	4	4 1/2
LRC	1/2	1 1/16	1 1/4	1 7/8	2	2 1/8	2 5/8	2 7/8	3 5/8	4
M	1/2	3/4	1	1 3/8	1 3/4	2	2 1/2	3	3 1/2	4
MR	9/16	7/8	1 1/4	1 5/8	2 1/8	2 7/16	3	3 1/4	3 7/8	5 1/4
MRC	9/16	1 1/16	1 1/8	1 3/4	1 7/8	2 1/8	2 1/2	2 3/4	3 1/2	4
RA	1.63	2.55	3.25	3.82	4.95	5.73	6.58	7.50	9.62	11.45

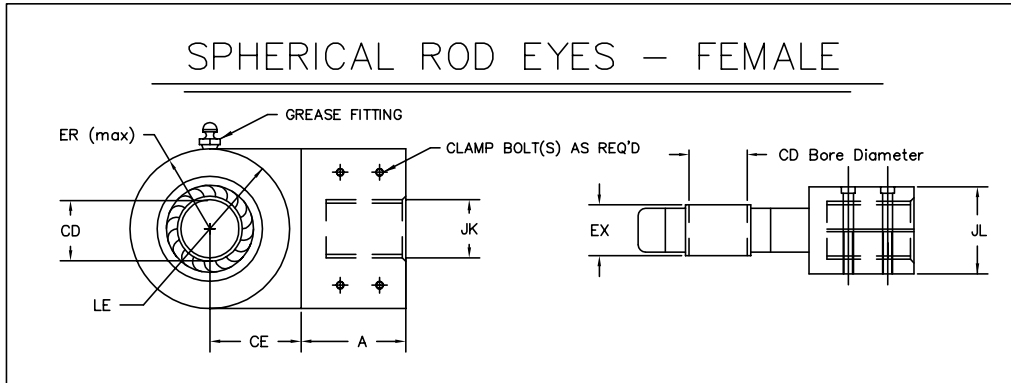
PIVOT PIN PART NUMBER

	MACPN01	MACPN02	MACPN03	MACPN04	MACPN05	MACPN06	MACPN07	MACPN08	MACPN09	MACPN10
CD	1/2	3/4	1	1 3/8	1 3/4	2	2 1/2	3	3 1/2	4
CL	1 3/4	2 1/2	3	4	5	5	6	6	8	9



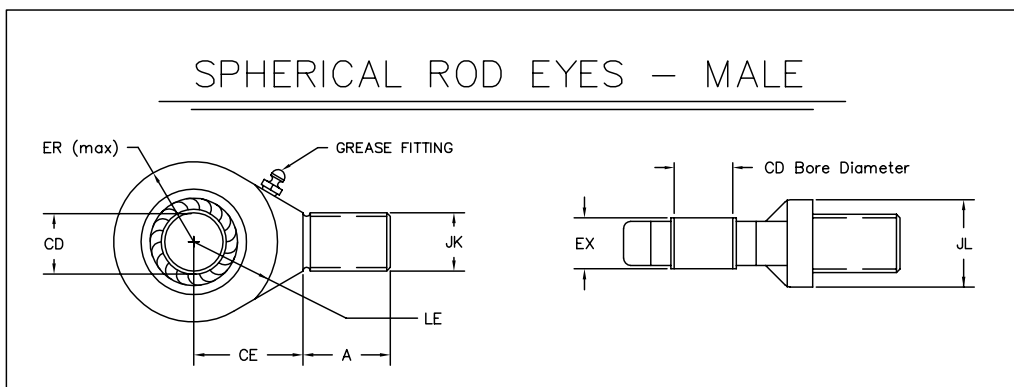
SPHERICAL CAP AND ROD END MOUNTING ACCESSORIES

STANDARD AND STAINLESS STEEL



MOUNTING DIMENSIONS

PART NO.	CD +.0000 -.0005	A	CE	EX	ER	LE	JK	JL	CLAMP BOLTS QUANTITY SIZE	MAX HYD. CYLINDER BORE & PSIG	MAX LOAD CAPACITY IN POUNDS
LSRE-05F	.5000	1 1/2	3/4	.437	1	5/8	7/16-20	1 1/4	(2) #10-32	1 1/2 @ 1,400	2,600
LSRE-07F	.7500	2	1 1/4	.656	1	1	7/16-20	1 1/4	(2) #10-32	1 1/2 @ 3,000	9,400
LSRE-08F	.7500	2	1 1/4	.656	1 1/4	1	3/4-16	2	(2) #10-32	2 @ 3,000	9,400
LSRE-10F	1.0000	2	1 1/2	.875	1 1/2	1 1/4	3/4-16	2	(2) #10-32	2 1/2 @ 3,000	16,800
LSRE-13F	1.3750	2 1/2	2 1/8	1.187	1 7/8	1 7/8	1.00-14	2	(2) #10-32	3 1/4 @ 3,000	28,600
LSRE-17F	1.7500	2 3/4	2 1/4	1.531	2 1/4	2	1 1/4-12	2 3/4	(2) 1/4-28	4 @ 3,000	43,000
LSRE-20F	2.0000	3	2 1/2	1.750	2 3/4	2 1/4	1 1/2-12	2 3/4	(2) 1/4-28	5 @ 3,000	70,000
LSRE-25F	2.5000	3 5/8	3	2.187	3 1/4	2 3/4	1 7/8-12	3	(2) 1/4-28	6 @ 3,000	85,000
LSRE-30F	3.0000	4 3/8	3 3/4	2.625	4	3 1/2	2 1/4-12	3 1/2	(4) 1/4-28	7 @ 3,000	87,700
LSRE-35F	3.5000	4 3/4	4 3/8	3.062	4 1/2	4 1/8	2 1/2-12	3 3/4	(4) 5/16-24	8 @ 3,000	119,200
LSRE-45F	4.5000	6 1/4	5 5/8	3.937	6	5 1/4	3 1/2-12	4 3/4	(4) 3/8-24	10 @ 3,000	210,500
LSRE-50F	5.0000	6 3/4	6 1/4	4.375	7	5 7/8	4.00-12	5 1/2	(4) 3/8-24	12 @ 3,000	245,500



MOUNTING DIMENSIONS

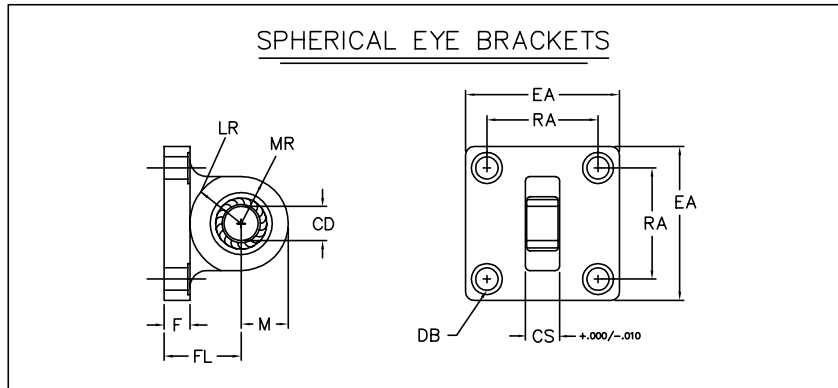
PART NO.	CD +.0000 -.0005	A	CE	EX	ER	LE	JK	JL	MAX HYD. CYLINDER BORE & PSIG	MAX LOAD CAPACITY IN POUNDS
LSRE-05M	.5000	11/16	7/8	.437	7/8	3/4	7/16-20	7/8	1 1/2 @ 1,200	2,600
LSRE-07M	.7500	1	1 1/4	.656	1 1/4	1 1/16	3/4-16	1 5/16	2 1/2 @ 1,400	9,400
LSRE-10M	1.0000	1 1/2	1 7/8	.875	1 3/8	1 7/16	1-14	1 1/2	3 1/4 @ 1,500	16,800
LSRE-13M	1.3750	2	2 1/8	1.187	1 13/16	1 7/8	1 1/4-12	2	4 @ 1,800	28,600
LSRE-17M	1.7500	2 1/8	2 1/2	1.531	2 3/16	2 1/8	1 1/2-12	2 1/4	5 @ 1,200	43,000
LSRE-20M	2.0000	2 7/8	2 3/4	1.750	2 5/8	2 1/2	1 7/8-12	2 3/4	6 @ 1,800	70,000

NOTE: STAINLESS STEEL

Part Numbers in the charts above and on page 57 are for standard Spherical Rod End and Cap End Accessories. All items are also available in **stainless steel**. For stainless steel accessories, add "S" to the end of the Part Number: e.g.; LSRE-05M for standard Male Spherical Rod Eye, LSRE-05MS for stainless steel Male Spherical Rod Eye.

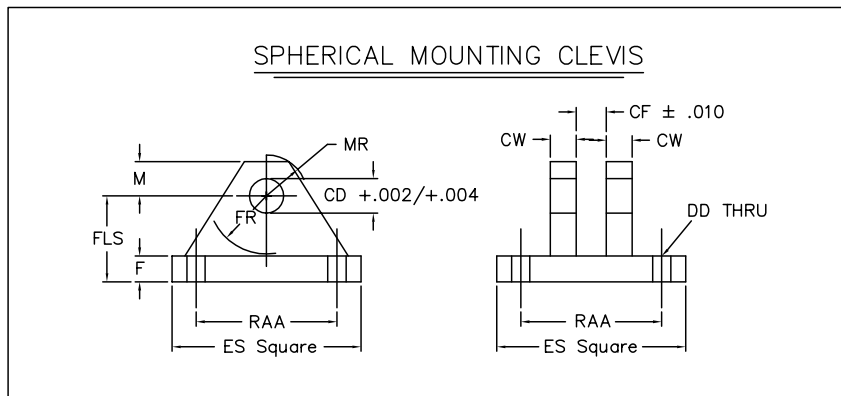
SPHERICAL CAP AND ROD END MOUNTING ACCESSORIES (Cont.)

STANDARD AND STAINLESS STEEL



MOUNTING DIMENSIONS

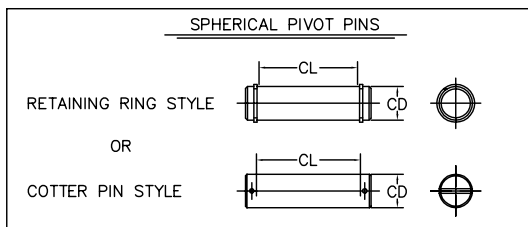
PART NO.	CD	CS	DB	EA	F	FL	LR	M	MR	RA
LSEB-05	.500	.50	13/32	2 1/2	3/8	1 1/8	3/4	11/16	11/16	1.62
LSEB-07	.750	.75	17/32	3 1/2	5/8	1 7/8	1 1/4	1 3/16	1 3/16	2.56
LSEB-10	1.000	1.00	21/32	4 1/2	3/4	2 1/4	1 1/2	1 3/8	1 3/8	3.25
LSEB-13	1.375	1.38	21/32	5	7/8	3	2 1/8	2	2	3.88
LSEB-17	1.750	1.50	29/32	6 1/2	7/8	3 1/8	2 1/4	2 1/8	2 1/8	4.94
LSEB-20	2.000	1.75	1 1/32	7 1/2	1	3 1/2	2 1/2	2 3/8	2 3/8	5.75



MOUNTING DIMENSIONS

PART NO.	CD	CF	CW	DD	ES	F	FLS	FR	M	MR	RAA
LCBS-05	.500	.44	1/2	13/32	3	1/2	1 1/2	15/16	1/2	5/8	2.05
LCBS-07	.750	.66	5/8	17/32	3 3/4	5/8	2	1 3/8	7/8	1	2.76
LCBS-10	1.000	.88	3/4	17/32	5 1/2	3/4	2 1/2	1 11/16	1	1 3/16	4.10
LCBS-13	1.375	1.19	1	21/32	6 1/2	7/8	3 1/2	2 7/16	1 3/8	1 5/8	4.95
LCBS-17	1.750	1.53	1 1/4	29/32	8 1/2	1 1/4	4 1/2	2 7/8	1 3/4	2 1/16	6.58
LCBS-20	2.000	1.75	1 1/2	29/32	10 5/8	1 1/2	5	3 5/16	2	2 3/8	7.92

Note: Spherical mounting clevises are designed to mate with spherical cylinder mounting style 8S and with spherical rod eyes.



Note: Pivot pin is not supplied with any spherical rod end or cap end mounting accessory. It must be ordered as separate item if required.

MOUNTING DIMENSIONS

PART NO.	CD	CL
LSP-05	.500	1 1/2
LSP-07	.750	2
LSP-10	1.000	2 7/16
LSP-13	1.375	3 1/4
LSP-17	1.750	4 3/32
LSP-20	2.000	4 13/16