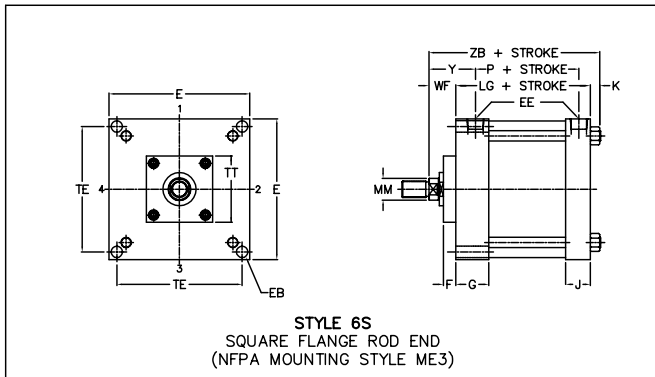




# FLANGE MOUNTED CYLINDERS

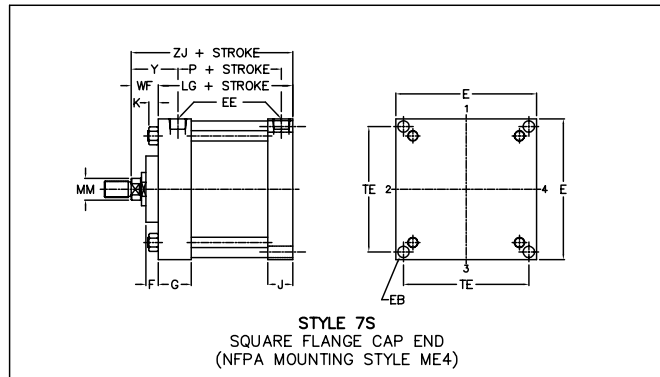
## 14" TO 20" BORE SERIES JHD AND LSSL AIR CYLINDERS

**AVAILABLE IN STANDARD CONSTRUCTION AND ALL STAINLESS STEEL DESIGN!**



**STYLE 6S**  
SQUARE FLANGE ROD END  
(NFPA MOUNTING STYLE ME3)

Standard Port location is Position 1.  
Standard Cushion location is Position 2.



**STYLE 7S**  
SQUARE FLANGE CAP END  
(NFPA MOUNTING STYLE ME4)

Standard Port location is Position 1.  
Standard Cushion location is Position 2.

**NOTES:**

- 1) THE 14" BORE USES FOUR (4) TIE RODS. BORE SIZES 16"-18"-20" USE EIGHT (8) TIE RODS. (SEE ILLUSTRATIONS ON P.29)
- 2) USE OF SOCKET HEAD CAP SCREWS IS PREFERRED FOR MOUNTING STYLES 6S AND 7S IN 14" TO 20" BORES DUE TO INTERFERENCE WITH THE TIE RODS AND HEX BOLT HEADS.
- 3) ALL FLANGE MOUNTED CYLINDERS SHOULD BE MOUNTED USING HIGH STRENGTH MOUNTING BOLTS.

For **ROD END** Styles and dimensional drawings, see p.30

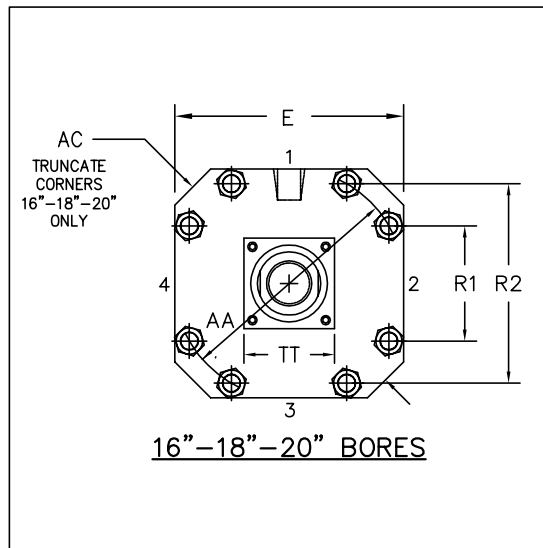
### ENVELOPE AND MOUNTING DIMENSIONS NOT AFFECTED BY ROD DIAMETER

BORE	NUM. TIE RODS	E	EE (NPTF)	EB	G	J	K	TE	LG	P
									ADD STROKE	
14	4	14 3/4	1 1/4	15/16	2 3/4	2 1/4	3/4	12 7/8	8 1/8	5 1/2
16	8	17 1/2	1 1/4	1 5/16	2 3/4	2 3/4	7/8	14 3/4	8 7/8	5 3/4
18	8	19 1/2	1 1/2	1 9/16	3 1/4	3 1/4	7/8	16 1/2	9 7/8	6 3/8
20	8	21 1/2	2	1 13/16	3 3/4	3 3/4	1	18 1/4	11 3/8	7 3/8

### DIMENSIONS AFFECTED BY ROD DIAMETER

BORE	ROD DIA. MM	THREAD SIZE			ROD AND PILOT DIMENSIONS								ENVELOPE DIMENSIONS				
		KK STD	CC	FF	A	B +0.000 -0.002	C	D	F	LA	NA	V	TT	WF	Y	ZB	ZJ
		ADD STROKE															
14	2 1/2	1 7/8-12	2 1/4-12	2 1/2-12	3	3.124	1	2 1/16	3/4	4 1/2	2 3/8	1/2	4	2 1/4	3 13/16	11 1/8	10 3/8
	3	2 1/4-12	2 3/4-12	3-12	3 1/2	3.749	1	2 5/8	3/4	5	2 7/8	1/2	5 1/2	2 1/4	3 13/16	11 1/8	10 3/8
	3 1/2	2 1/2-12	3 1/4-12	3 1/2-12	3 1/2	4.249	1	3	3/4	5	3 3/8	1/2	5 1/2	2 1/4	3 13/16	11 1/8	10 3/8
	4	3-12	3 3/4-12	4-12	4	4.749	1	3 3/8	1	5 1/4	3 7/8	1/4	7 1/2	2 1/4	3 13/16	11 1/8	10 3/8
16	3	2 1/4-12	2 3/4-12	3-12	3 1/2	3.749	1	2 5/8	3/4	5	2 7/8	1/2	5 1/2	2 1/4	3 13/16	12	11 1/8
	3 1/2	2 1/2-12	3 1/4-12	3 1/2-12	3 1/2	4.249	1	3	3/4	5	3 3/8	1/2	5 1/2	2 1/4	3 13/16	12	11 1/8
	4	3-12	3 3/4-12	4-12	4	4.749	1	3 3/8	1	5 1/4	3 7/8	1/4	7 1/2	2 1/4	3 13/16	12	11 1/8
18	3 1/2	2 1/2-12	3 1/4-12	3 1/2-12	3 1/2	4.249	1	3	3/4	5	3 3/8	1/2	5 1/2	2 1/4	4	13	12 1/8
	4	3-12	3 3/4-12	4-12	4	4.749	1	3 3/8	1	5 1/4	3 7/8	1/4	7 1/2	2 1/4	4	13	12 1/8
	5	3 1/2-12	4 3/4-12	5-12	5	5.749	1	4 1/4	1	6 1/4	4 7/8	1/4	8 1/2	2 1/4	4	13	12 1/8
	5 1/2	4-12	5 1/4-12	5 1/2-12	5 1/2	6.249	1	4 5/8	1	6 3/4	5 3/8	1/4	9 1/2	2 1/4	4	13	12 1/8
20	3 1/2	2 1/2-12	3 1/4-12	3 1/2-12	3 1/2	4.249	1	3	3/4	5	3 3/8	1/2	5 1/2	2 1/4	4 1/4	14 5/8	13 5/8
	4	3-12	3 3/4-12	4-12	4	4.749	1	3 3/8	1	5 1/4	3 7/8	1/4	7 1/2	2 1/4	4 1/4	14 5/8	13 5/8
	5	3 1/2-12	4 3/4-12	5-12	5	5.749	1	4 1/4	1	6 1/4	4 7/8	1/4	8 1/2	2 1/4	4 1/4	14 5/8	13 5/8
	5 1/2	4-12	5 1/4-12	5 1/2-12	5 1/2	6.249	1	4 5/8	1	6 3/4	5 3/8	1/4	9 1/2	2 1/4	4 1/4	14 5/8	13 5/8

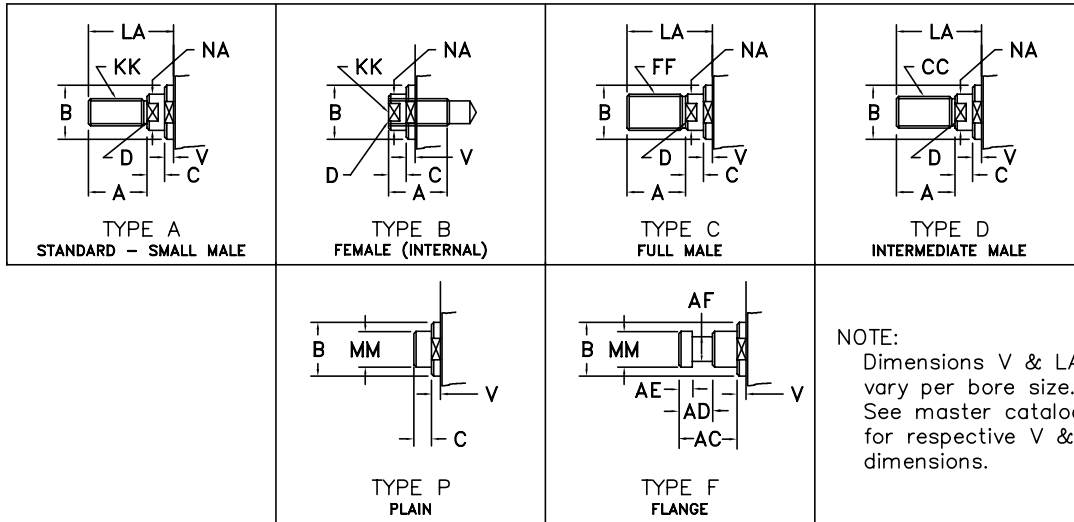
NPT PORTS FURNISHED UNLESS OTHERWISE SPECIFIED  
FIRST ROD SIZE SHOWN FOR EACH BORE SIZE IS STANDARD ROD



Standard Port location is Position 1.  
Standard Cushion location Position 2.

BORE	NUM. TIE RODS	AA	AC	BB	DD	E	EE (NPTF)	G	J	K	R	R1	R2	LF	LG	P
														ADD STROKE		
14	4	15.40	-	3 3/16	7/8-14	14 3/4	1 1/4	2 3/4	2 1/4	3/4	10.90	-	-	8 5/8	8 1/8	5 1/2
16	8	18.19	20 1/2	3 5/8	1-14	17 1/2	1 1/4	2 3/4	2 3/4	7/8	-	10.25	15.02	8 7/8	8 7/8	5 3/4
18	8	20.19	22 1/2	4 1/16	1-14	19 1/2	1 1/2	3 1/4	3 1/4	7/8	-	11.50	16.59	9 7/8	9 7/8	6 3/8
20	8	22.31	25	4 3/8	1 1/8-12	21 1/2	2	3 3/4	3 3/4	1	-	12.62	18.40	11 3/8	11 3/8	7 3/8

# ROD END STYLES



NOTE:  
 Dimensions V & LA  
 vary per bore size.  
 See master catalogs  
 for respective V & LA  
 dimensions.

TYPE F FLANGED ROD END DIMENSIONS

ROD DIA. MM	A	AC	AD	AE <small>+000 -003</small>	AF	B <small>+000 -002</small>	C	D	NA	CC	FF	KK
.62	.75	1.12	.82	.250	.38	1.124	.38	.500	.562	.50-20	.625-18	.437-20
1.00	1.13	1.62	.94	.375	.69	1.499	.50	.875	9.37	.875-14	1.00-14	.75-16
1.38	1.63	1.75	1.06	.375	.88	1.999	.62	1.125	1.312	1.25-12	1.375-12	1.00-14
1.75	2.00	2.00	1.31	.500	1.12	2.374	.75	1.500	1.687	1.50-12	1.75-12	1.25-12
2.00	2.25	2.62	1.69	.625	1.38	2.624	.88	1.687	1.937	1.75-12	2.00-12	1.50-12
2.50	3.00	3.25	1.94	.750	1.75	3.124	1.0	2.062	2.375	2.25-12	2.50-12	1.875-12
3.00	3.50	3.62	2.44	.875	2.25	3.749	1.0	2.625	2.875	2.75-12	3.00-12	2.25-12
3.50	3.50	4.38	2.69	1.000	2.50	4.249	1.0	3.000	3.375	3.25-12	3.50-12	2.50-12
4.00	4.00	4.50	2.69	1.000	3.00	4.749	1.0	3.375	3.875	3.75-12	4.00-12	3.00-12
4.50	4.50	5.25	3.19	1.500	3.50	5.249	1.0	3.875	4.375	4.25-12	4.50-12	3.25-12
5.00	5.00	5.38	3.19	1.500	3.88	5.749	1.0	4.250	4.875	4.75-12	5.00-12	3.50-12
5.50	5.50	6.25	3.94	1.875	4.38	6.249	1.0	4.625	5.375	5.25-12	5.50-12	4.00-12
7.00	7.00	6.50	4.06	2.000	5.75	7.999	1.0	N/A	6.875	6.75-12	7.00-12	5.00-12
8.00	8.00	6.50	4.06	2.000	6.50	8.999	1.0	N/A	7.875	7.50-12	8.00-12	5.75-12
8.50	8.50	6.50	4.06	2.000	6.50	9.499	1.0	N/A	8.375	8.25-12	8.50-12	6.00-12
10.00	10.00	7.25	4.62	2.375	8.00	10.999	1.0	N/A	9.875	9.75-12	10.00-12	7.00-12

N/A = NOT APPLICABLE TO THIS SIZE

Additional Rod End Styles are available. Please forward your requirements.

# ROD END STYLES