



## SERIES LSSL STAINLESS STEEL AIR CYLINDER

*The Lehigh Stainless Steel Air Cylinder  
Real Self-Lube with Miracalube®*

### **BENEFITS!**

Look inside our new Series LSSL pneumatic stainless steel cylinder and you will see that we build more quality and features in ... to get more productivity out.



The benefits of improved corrosion resistance coupled with the integrity of stainless steel, plus the exclusive Lehigh Miracalube® mist-free oil self-lubrication system, make the Lehigh Series LSSL a truly unique cylinder for standard or special applications.

Lehigh stainless cylinders use broached stainless steel blocks and precision bored and honed stainless tubing. Chrome plated stainless steel rods are used to improve resistance to scratches and dents. The Miracalube® self-lubrication system eliminates the need for in-line lubrication and does not mist in the atmosphere.

Our Series LSSL air cylinders are available in bore sizes from 3/4" to 20", maximum pressures up to 250 PSI, and strokes to over 10 feet. We design to match our customers' cylinder and seal requirements, whatever they may be.

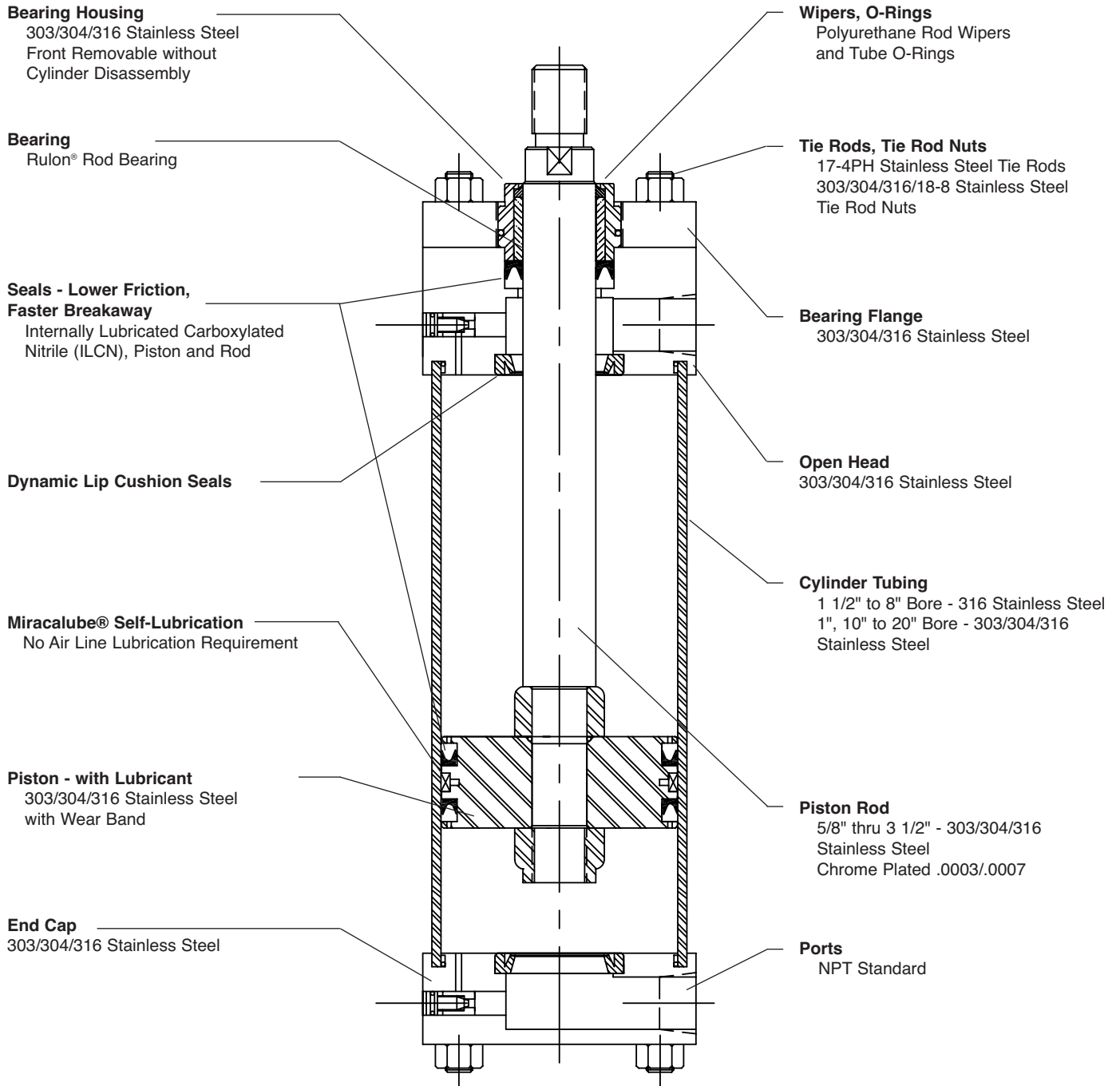
Applications include, among others: pharmaceutical and medical clean room equipment; food industry products that require USDA approvals; chemical industry equipment; wet applications (marine, dock, underwater, sewage, water treatment); and gate or other type valves.

The best feature of a Lehigh stainless steel cylinder is the long term savings in both reduced downtime and maintenance. Let Lehigh's sales and engineering departments help you select the best product for your application needs.

# The Series LSSL Stainless Steel Air Cylinder Built to Survive Where Other Cylinders Fail

## FEATURES!

The Series LSSL Stainless Steel Air Cylinder Comes Standard with the Following Design Features:



Other ... Pneumatic Service to 250 PSI ... Operating Temp. from 0° to 165° F (Standard), to 400°F (Optional Seals)

### Custom Stainless Steel Pneumatic Cylinders

An important part of our business is the custom cylinder design. The Series LSSL stainless steel pneumatic cylinder is available in virtually any configuration required by your special application. When you contact us with your design challenges, chances are that our engineering will meet the requirements of your special mounting, material, seal, temperature, sensing or other needs.