

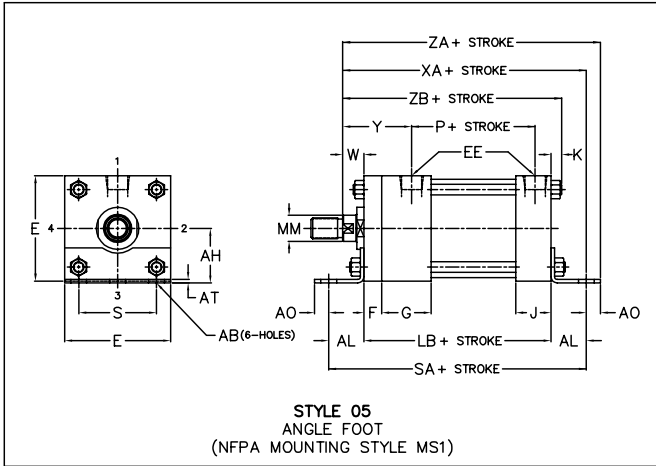


FOOT AND FLUSH MOUNTED CYLINDERS

1 1/2" TO 6" BORE SERIES JHDH AND LSSE

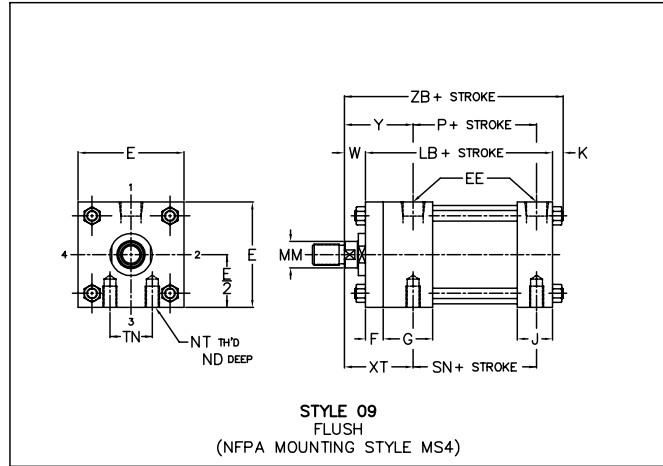
PRESSURE RATED HYDRAULIC CYLINDERS

STANDARD IN BRASS TUBE DESIGN AND ALL STAINLESS STEEL DESIGN!



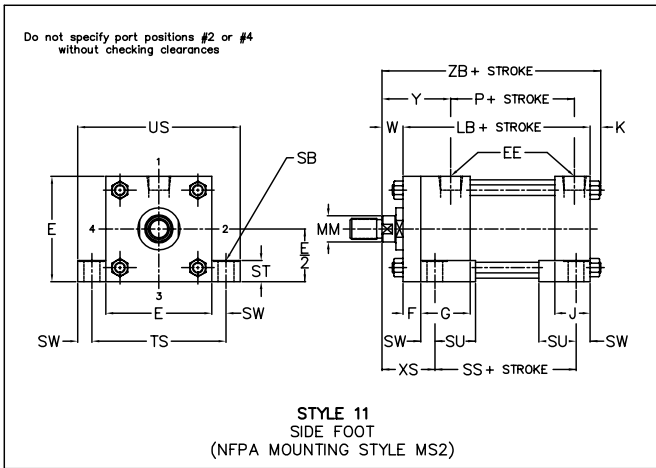
STYLE 05
ANGLE FOOT
(NFPA MOUNTING STYLE MS1)

Standard Port location is Position 1.
Standard Cushion location Position 2.



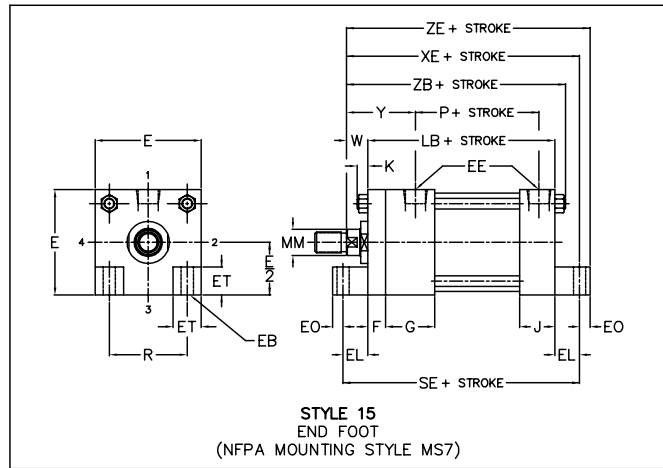
STYLE 09
FLUSH
(NFPA MOUNTING STYLE MS4)

Standard Port location is Position 1.
Standard Cushion location Position 2.



STYLE 11
SIDE FOOT
(NFPA MOUNTING STYLE MS2)

Standard Port location is Position 1.
Standard Cushion location Position 2.



STYLE 15
END FOOT
(NFPA MOUNTING STYLE MS7)

Standard Port location is Position 1.
Standard Cushion location Position 2.

ENVELOPE AND MOUNTING DIMENSIONS NOT AFFECTED BY ROD DIAMETER

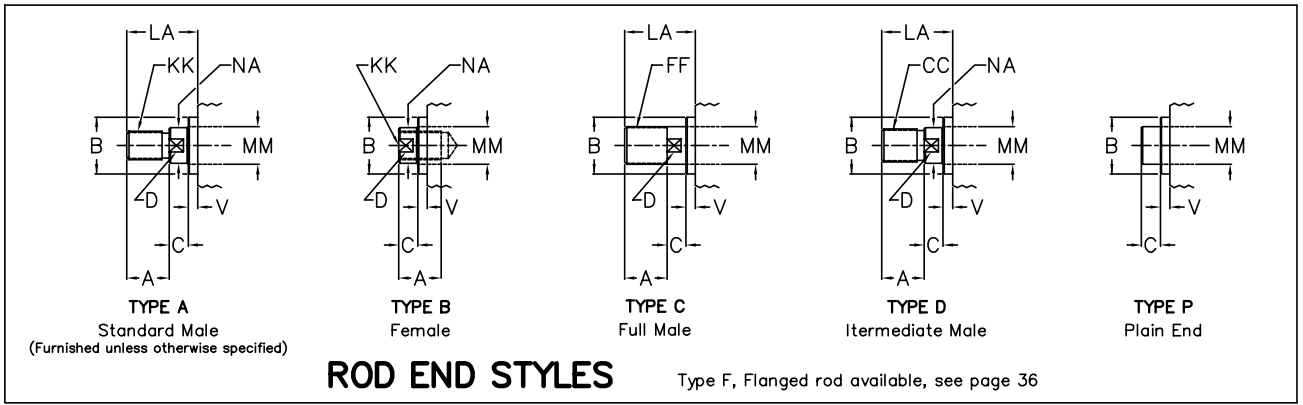
BORE	AB	AH	AL	AO	AT	E	EB	EE *		EL	EO	ET	F	G	J	K	ND MIN
								NPTF	SAE								
1 1/2	7/16	1 3/16	1	3/8	1/8	2	5/16	3/8	6	3/4	1/4	9/16	3/8	1 1/2	1	1/4	1/4
2	7/16	1 7/16	1	3/8	1/8	2 1/2	3/8	3/8	6	15/16	5/16	11/16	3/8	1 1/2	1	5/16	3/8
2 1/2	7/16	1 5/8	1	3/8	1/8	3	3/8	3/8	6	1 1/16	5/16	13/16	3/8	1 1/2	1	5/16	7/16
3 1/4	9/16	1 15/16	1 1/4	1/2	1/8	3 3/4	7/16	1/2	10	7/8	3/8	1	5/8	1 3/4	1 1/4	3/8	1/2
4	9/16	2 1/4	1 1/4	1/2	1/8	4 1/2	7/16	1/2	10	1	3/8	1 3/16	5/8	1 3/4	1 1/4	3/8	5/8
5	11/16	2 3/4	1 3/8	5/8	3/16	5 1/2	9/16	1/2	10	1 1/16	1/2	1 3/8	5/8	1 3/4	1 1/4	7/16	3/4
6	13/16	3 1/4	1 3/8	5/8	3/16	6 1/2	9/16	3/4	12	1	1/2	1 5/8	3/4	2	1 1/2	7/16	7/8

* NPTF PORTS FURNISHED UNLESS OTHERWISE SPECIFIED

BORE	NT	R	S	SB	ST	SU	SW	TN	TS	US	LB	P	SA	SE	SN	SS
1 1/2	1/4-20	1.43	1 1/4	7/16	1/2	15/16	3/8	5/8	2 3/4	3 1/2	4	2 1/4	6	5 1/2	2 1/4	2 7/8
2	5/16-18	1.84	1 3/4	7/16	1/2	15/16	3/8	7/8	3 1/4	4	4	2 1/4	6	5 7/8	2 1/4	2 7/8
2 1/2	3/8-16	2.19	2 1/4	7/16	1/2	15/16	3/8	1 1/4	3 3/4	4 1/2	4 1/8	2 3/8	6 1/8	6 1/4	2 3/8	3
3 1/4	1/2-13	2.76	2 3/4	9/16	3/4	1 1/4	1/2	1 1/2	4 3/4	5 3/4	4 7/8	2 5/8	7 3/8	6 5/8	2 5/8	3 1/4
4	1/2-13	3.32	3 1/2	9/16	3/4	1 1/4	1/2	2 1/16	5 1/2	6 1/2	4 7/8	2 5/8	7 3/8	6 7/8	2 5/8	3 1/4
5	5/8-11	4.10	4 1/4	13/16	1	1 9/16	11/16	2 11/16	6 7/8	8 1/4	5 1/8	2 7/8	7 7/8	7 1/4	2 7/8	3 1/8
6	3/4-10	4.88	5 1/4	13/16	1	1 9/16	11/16	3 1/4	7 7/8	9 1/4	5 3/4	3 1/8	8 1/2	7 3/4	3 1/8	3 5/8

Note: These medium pressure hydraulic cylinders are rated for maximum working pressure by bore size.
For pressure ratings, see page 4 for the JHDH Series, and page 6 for the LSSE Series.

FOOT AND FLUSH MOUNTED CYLINDERS (Cont.)



DIMENSIONS AFFECTED BY ROD DIAMETER

BORE	ROD DIA. MM	THREAD SIZE			ROD AND PILOT DIMENSIONS								ENVELOPE DIMENSIONS									
		KK	CC	FF	A	B +0.000 -0.002	C	D	LA	NA	V	W	XS	XT	Y	XA	XE	ZA	ZB	ZE		
		STD														ADD STROKE						
1 1/2	5/8	7/16-20	1/2-20	5/8-18	3/4	1.124	3/8	1/2	1 3/8	9/16	1/4	5/8	1 3/8	1 15/16	1 15/16	5 5/8	5 3/8	6	4 7/8	5 5/8		
	1 *	3/4-16	7/8-14	1-14	1 1/8	1.499	1/2	7/8	2 1/8	15/16	1/2	1	1 3/4	2 5/16	2 5/16	6	5 3/4	6 3/8	5 1/4	6		
2	5/8	7/16-20	1/2-20	5/8-18	3/4	1.124	3/8	1/2	1 3/8	9/16	1/4	5/8	1 3/8	1 15/16	1 15/16	5 5/8	5 9/16	6	4 15/16	5 7/8		
	1	3/4-16	7/8-14	1-14	1 1/8	1.499	1/2	7/8	2 1/8	15/16	1/2	1	1 3/4	2 5/16	2 5/16	6	5 15/16	6 3/8	5 5/16	6 1/4		
	1 3/8 *	1-14	1 1/4-12	1 3/8-12	1 5/8	1.999	5/8	1 1/8	2 7/8	1 5/16	5/8	1 1/4	2	2 9/16	2 9/16	6 1/4	6 3/16	6 5/8	5 9/16	6 1/2		
2 1/2	5/8	7/16-20	1/2-20	5/8-18	3/4	1.124	3/8	1/2	1 3/8	9/16	1/4	5/8	1 3/8	1 15/16	1 15/16	5 3/4	5 13/16	6 1/8	5 1/16	6 1/8		
	1	3/4-16	7/8-14	1-14	1 1/8	1.499	1/2	7/8	2 1/8	15/16	1/2	1	1 3/4	2 5/16	2 5/16	6 1/8	6 3/16	6 1/2	5 7/16	6 1/2		
	1 3/8	1-14	1 1/4-12	1 3/8-12	1 5/8	1.999	5/8	1 1/8	2 7/8	1 5/16	5/8	1 1/4	2	2 9/16	2 9/16	6 3/8	6 7/16	6 3/4	5 11/16	6 3/4		
3 1/4	1	3/4-16	7/8-14	1-14	1 1/8	1.499	1/2	7/8	1 7/8	15/16	1/4	3/4	1 7/8	2 7/16	2 7/16	6 7/8	6 1/2	7 3/8	6	6 7/8		
	1 3/8	1-14	1 1/4-12	1 3/8-12	1 5/8	1.999	5/8	1 1/8	2 5/8	1 5/16	3/8	1	2 1/8	2 11/16	2 11/16	7 1/8	6 3/4	7 5/8	6 1/4	7 1/8		
	1 3/4	1 1/4-12	1 1/2-12	1 3/4-12	2	2.374	3/4	1 1/2	3 1/4	1 11/16	1/2	1 1/4	2 3/8	2 15/16	2 15/16	7 3/8	7	7 7/8	6 1/2	7 3/8		
	2 *	1 1/2-12	1 3/4-12	2-12	2 1/4	2.624	7/8	1 11/16	3 5/8	1 15/16	1/2	1 3/8	2 1/2	3 1/16	3 1/16	7 1/2	7 1/8	8	6 5/8	7 1/2		
4	1	3/4-16	7/8-14	1-14	1 1/8	1.499	1/2	7/8	1 7/8	15/16	1/4	3/4	1 7/8	2 7/16	2 7/16	6 7/8	6 5/8	7 3/8	6	7		
	1 3/8	1-14	1 1/4-12	1 3/8-12	1 5/8	1.999	5/8	1 1/8	2 5/8	1 5/16	3/8	1	2 1/8	2 11/16	2 11/16	7 1/8	6 7/8	7 5/8	6 1/4	7 1/4		
	1 3/4	1 1/4-12	1 1/2-12	1 3/4-12	2	2.374	3/4	1 1/2	3 1/4	1 11/16	1/2	1 1/4	2 3/8	2 15/16	2 15/16	7 3/8	7 1/8	7 7/8	6 1/2	7 1/2		
	2	1 1/2-12	1 3/4-12	2-12	2 1/4	2.624	7/8	1 11/16	3 5/8	1 15/16	1/2	1 3/8	2 1/2	3 1/16	3 1/16	7 1/2	7 1/4	8	6 5/8	7 5/8		
5	1	3/4-16	7/8-14	1-14	1 1/8	1.499	1/2	7/8	1 7/8	15/16	1/4	3/4	2 1/16	2 7/16	2 7/16	7 1/4	6 15/16	7 7/8	6 5/16	7 7/16		
	1 3/8	1-14	1 1/4-12	1 3/8-12	1 5/8	1.999	5/8	1 1/8	2 5/8	1 5/16	3/8	1	2 5/16	2 11/16	2 11/16	7 1/2	7 3/16	8 1/8	6 9/16	7 11/16		
	1 3/4	1 1/4-12	1 1/2-12	1 3/4-12	2	2.374	3/4	1 1/2	3 1/4	1 11/16	1/2	1 1/4	2 9/16	2 15/16	2 15/16	7 3/4	7 7/16	8 3/8	6 13/16	7 15/16		
	2	1 1/2-12	1 3/4-12	2-12	2 1/4	2.624	7/8	1 11/16	3 5/8	1 15/16	1/2	1 3/8	2 11/16	3 1/16	3 1/16	7 7/8	7 9/16	8 1/2	6 15/16	8 1/16		
6	1 3/8	1-14	1 1/4-12	1 3/8-12	1 5/8	1.999	5/8	1 1/8	2 1/2	1 5/16	1/4	7/8	2 5/16	2 13/16	2 13/16	8	7 5/8	8 5/8	7 1/16	8 1/8		
	1 3/4	1 1/4-12	1 1/2-12	1 3/4-12	2	2.374	3/4	1 1/2	3 1/8	1 11/16	3/8	1 1/8	2 9/16	3 1/16	3 1/16	8 1/4	7 7/8	8 7/8	7 5/16	8 3/8		
	2	1 1/2-12	1 3/4-12	2-12	2 1/4	2.624	7/8	1 11/16	3 1/2	1 15/16	3/8	1 1/4	2 11/16	3 3/16	3 3/16	8 3/8	8	9	7 7/16	8 1/2		
	2 1/2	1 7/8-12	2 1/4-12	2 1/2-12	3	3.124	1	2 1/16	4 1/2	2 3/8	1/2	1 1/2	2 15/16	3 7/16	3 7/16	8 5/8	8 1/4	9 1/4	7 11/16	8 3/4		

FIRST ROD SIZE SHOWN FOR EACH BORE SIZE IS STANDARD ROD
 * ROD END CUSHIONS AVAILABLE ONLY AS NON-ADJUSTABLE TYPE - CONSULT LEIGH

