

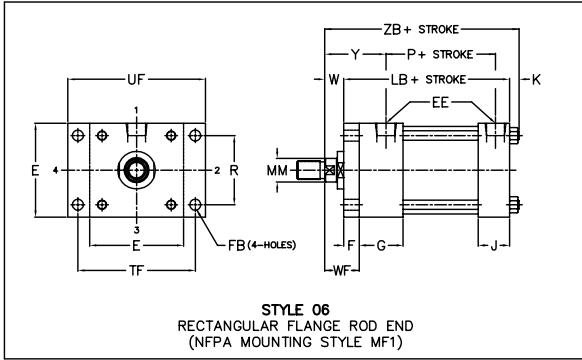


# FLANGE MOUNTED CYLINDERS

## 1 1/2" TO 6" BORE SERIES JHDH AND LSSE

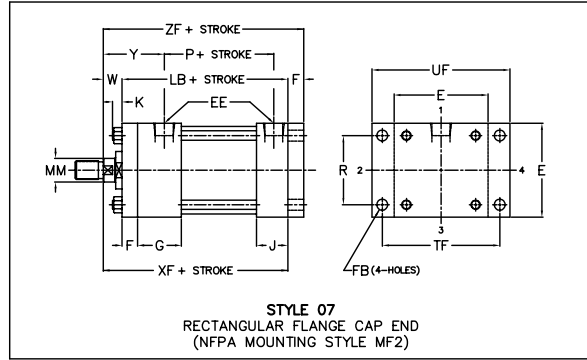
### PRESSURE RATED HYDRAULIC CYLINDERS

**STANDARD IN BRASS TUBE DESIGN AND ALL STAINLESS STEEL DESIGN!**



**STYLE 06**  
RECTANGULAR FLANGE ROD END  
(NFPA MOUNTING STYLE MF1)

Standard Port location is Position 1.  
Standard Cushion location Position 2.



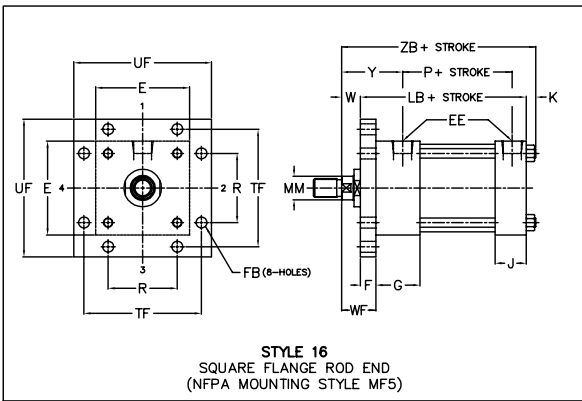
**STYLE 07**  
RECTANGULAR FLANGE CAP END  
(NFPA MOUNTING STYLE MF2)

Standard Port location is Position 1.  
Standard Cushion location Position 2.

### MEDIUM PRESSURE HYDRAULIC CYLINDER SERIES JHDH & LSSE

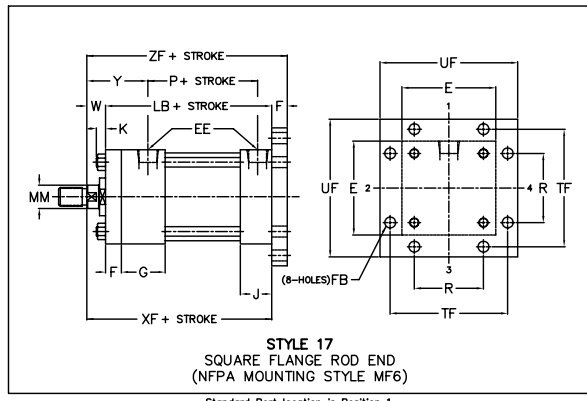
#### BORE vs MAXIMUM WORKING PRESSURE RATING #06 & #07 MOUNTS

Bores	JHDH PRESSURE	LSSE PRESSURE	Bores	JHDH PRESSURE	LSSE PRESSURE
1 1/2	1,350 PSI Non-Shock	1,350 PSI Non-Shock	3 1/4	1,000 PSI Non-Shock	1,000 PSI Non-Shock
2	1,200 PSI Non-Shock	1,200 PSI Non-Shock	4	700 PSI Non-Shock	700 PSI Non-Shock
2 1/2	1,000 PSI Non-Shock	1,000 PSI Non-Shock	5 & 6	500 PSI Non-Shock	500 PSI Non-Shock



**STYLE 16**  
SQUARE FLANGE ROD END  
(NFPA MOUNTING STYLE MF5)

Standard Port location is Position 1.  
Standard Cushion location Position 2.



**STYLE 17**  
SQUARE FLANGE ROD END  
(NFPA MOUNTING STYLE MF6)

Standard Port location is Position 1.  
Standard Cushion location Position 2.

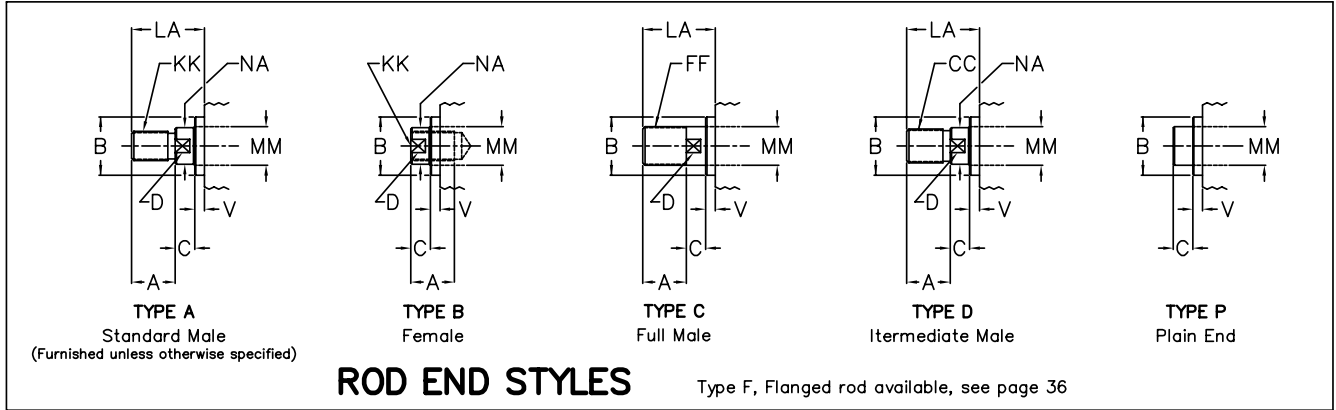
Note: For pressure ratings for mounting styles 16 and 17, see page 4 for the JHDH series, and page 6 for the LSSE Series

### ENVELOPE AND MOUNTING DIMENSIONS NOT AFFECTED BY ROD DIAMETER

BORE	E	EE *		F	FB	G	J	K	R	TF	UF	LB	P	
		NPTF	SAE											
													ADD STROKE	
1 1/2	2	3/8	6	3/8	5/16	1 1/2	1	1/4	1.43	2 3/4	3 3/8	4	2 1/4	
2	2 1/2	3/8	6	3/8	3/8	1 1/2	1	5/16	1.84	3 3/8	4 1/8	4	2 1/4	
2 1/2	3	3/8	6	3/8	3/8	1 1/2	1	5/16	2.19	3 7/8	4 5/8	4 1/8	2 3/8	
3 1/4	3 3/4	1/2	10	5/8	7/16	1 3/4	1 1/4	3/8	2.76	4 11/16	5 1/2	4 7/8	2 5/8	
4	4 1/2	1/2	10	5/8	7/16	1 3/4	1 1/4	3/8	3.32	5 7/16	6 1/4	4 7/8	2 5/8	
5	5 1/2	1/2	10	5/8	9/16	1 3/4	1 1/4	7/16	4.10	6 5/8	7 5/8	5 1/8	2 7/8	
6	6 1/2	3/4	12	3/4	9/16	2	1 1/2	7/16	4.88	7 5/8	8 5/8	5 3/4	3 1/8	

\* NPTF PORTS FURNISHED UNLESS OTHERWISE SPECIFIED

# FLANGE MOUNTED CYLINDERS (Cont.)



## DIMENSIONS AFFECTED BY ROD DIAMETER

BORE	ROD DIA. MM	THREAD SIZE			ROD AND PILOT DIMENSIONS							ENVELOPE DIMENSIONS					
		KK STD	CC	FF	A	B +0.000 -0.002	C	D	LA	NA	V	W	WF	Y	XF	ZB	ZF
															ADD STROKE		
1 1/2	5/8	7/16-20	1/2-20	5/8-18	3/4	1.124	3/8	1/2	1 3/8	9/16	1/4	5/8	1	1 15/16	4 5/8	4 7/8	5
	1 *	3/4-16	7/8-14	1-14	1 1/8	1.499	1/2	7/8	2 1/8	15/16	1/2	1	1 3/8	2 5/16	5	5 1/4	5 3/8
2	5/8	7/16-20	1/2-20	5/8-18	3/4	1.124	3/8	1/2	1 3/8	9/16	1/4	5/8	1	1 15/16	4 5/8	4 15/16	5
	1	3/4-16	7/8-14	1-14	1 1/8	1.499	1/2	7/8	2 1/8	15/16	1/2	1	1 3/8	2 5/16	5	5 5/16	5 3/8
	1 3/8 *	1-14	1 1/4-12	1 3/8-12	1 5/8	1.999	5/8	1 1/8	2 7/8	1 5/16	5/8	1 1/4	1 5/8	2 9/16	5 1/4	5 9/16	5 5/8
2 1/2	5/8	7/16-20	1/2-20	5/8-18	3/4	1.124	3/8	1/2	1 3/8	9/16	1/4	5/8	1	1 15/16	4 3/4	5 1/16	5 1/8
	1	3/4-16	7/8-14	1-14	1 1/8	1.499	1/2	7/8	2 1/8	15/16	1/2	1	1 3/8	2 5/16	5 1/8	5 7/16	5 1/2
	1 3/8	1-14	1 1/4-12	1 3/8-12	1 5/8	1.999	5/8	1 1/8	2 7/8	1 5/16	5/8	1 1/4	1 5/8	2 9/16	5 3/8	5 11/16	5 3/4
	1 3/4 *	1 1/4-12	1 1/2-12	1 3/4-12	2	2.374	3/4	1 1/2	3 1/2	1 11/16	3/4	1 1/2	1 7/8	2 13/16	5 5/8	5 15/16	6
3 1/4	1	3/4-16	7/8-14	1-14	1 1/8	1.499	1/2	7/8	1 7/8	15/16	1/4	3/4	1 3/8	2 7/16	5 5/8	6	6 1/4
	1 3/8	1-14	1 1/4-12	1 3/8-12	1 5/8	1.999	5/8	1 1/8	2 5/8	1 5/16	3/8	1	1 5/8	2 11/16	5 7/8	6 1/4	6 1/2
	1 3/4	1 1/4-12	1 1/2-12	1 3/4-12	2	2.374	3/4	1 1/2	3 1/4	1 11/16	1/2	1 1/4	1 7/8	2 15/16	6 1/8	6 1/2	6 3/4
	2 *	1 1/2-12	1 3/4-12	2-12	2 1/4	2.624	7/8	1 11/16	3 5/8	1 15/16	1/2	1 3/8	2	3 1/16	6 1/4	6 5/8	6 7/8
4	1	3/4-16	7/8-14	1-14	1 1/8	1.499	1/2	7/8	1 7/8	15/16	1/4	3/4	1 3/8	2 7/16	5 5/8	6	6 1/4
	1 3/8	1-14	1 1/4-12	1 3/8-12	1 5/8	1.999	5/8	1 1/8	2 5/8	1 5/16	3/8	1	1 5/8	2 11/16	5 7/8	6 1/4	6 1/2
	1 3/4	1 1/4-12	1 1/2-12	1 3/4-12	2	2.374	3/4	1 1/2	3 1/4	1 11/16	1/2	1 1/4	1 7/8	2 15/16	6 1/8	6 1/2	6 3/4
	2	1 1/2-12	1 3/4-12	2-12	2 1/4	2.624	7/8	1 11/16	3 5/8	1 15/16	1/2	1 3/8	2	3 1/16	6 1/4	6 5/8	6 7/8
5	1	3/4-16	7/8-14	1-14	1 1/8	1.499	1/2	7/8	1 7/8	15/16	1/4	3/4	1 3/8	2 7/16	5 7/8	6 5/16	6 1/2
	1 3/8	1-14	1 1/4-12	1 3/8-12	1 5/8	1.999	5/8	1 1/8	2 5/8	1 5/16	3/8	1	1 5/8	2 11/16	6 1/8	6 9/16	6 3/4
	1 3/4	1 1/4-12	1 1/2-12	1 3/4-12	2	2.374	3/4	1 1/2	3 1/4	1 11/16	1/2	1 1/4	1 7/8	2 15/16	6 3/8	6 13/16	7
	2	1 1/2-12	1 3/4-12	2-12	2 1/4	2.624	7/8	1 11/16	3 5/8	1 15/16	1/2	1 3/8	2	3 1/16	6 1/2	6 15/16	7 1/8
6	1 3/8	1-14	1 1/4-12	1 3/8-12	1 5/8	1.999	5/8	1 1/8	2 1/2	1 5/16	1/4	7/8	1 5/8	2 13/16	6 5/8	7 1/16	7 3/8
	1 3/4	1 1/4-12	1 1/2-12	1 3/4-12	2	2.374	3/4	1 1/2	3 1/8	1 11/16	3/8	1 1/8	1 7/8	3 1/16	6 7/8	7 5/16	7 5/8
	2	1 1/2-12	1 3/4-12	2-12	2 1/4	2.624	7/8	1 11/16	3 1/2	1 15/16	3/8	1 1/4	2	3 3/16	7	7 7/16	7 3/4
	2 1/2	1 7/8-12	2 1/4-12	2 1/2-12	3	3.124	1	2 1/16	4 1/2	2 3/8	1/2	1 1/2	2 1/4	3 7/16	7 1/4	7 11/16	8

FIRST ROD SIZE SHOWN FOR EACH BORE SIZE IS STANDARD ROD  
 \* ROD END CUSHIONS AVAILABLE ONLY AS NON-ADJUSTABLE TYPE - CONSULT LEHIGH