



**SERIES LSSE  
ALL-STAINLESS STEEL CYLINDER  
MEDIUM PRESSURE HYDRAULIC  
PRESSURE RATED BY BORE SIZE**

*The Lehigh LSSE Medium Pressure Hydraulic Cylinder  
All Stainless Steel*

**BENEFITS!**

Look inside our Series LSSE hydraulic stainless steel cylinder and you will see that we build more quality and features in ... to get more productivity out.

The benefits of improved corrosion resistance coupled with the integrity of stainless steel make the Lehigh Series LSSE a truly unique cylinder for standard or special applications.



Lehigh stainless cylinders use broached stainless steel blocks and precision bored and honed stainless tubing. Chrome plated stainless steel rods are used to improve resistance to scratches and dents.

Our Series LSSE hydraulic cylinders are available in bore sizes from 1" to 6", with pressure ratings starting at 1,000 PSI with the 1" dia. bore. The pressure is then rated per size as the bore increases. (See the chart below.) The construction of this series enables the system designer to select a cylinder more closely matched to a circuit pressure, rather than opting for the bigger, more expensive high pressure cylinder design. Not only are there cost savings, but space and weight savings as well.

As with our JHDH Series hydraulic cylinder, the system designer has the option of specifying tie-rod mount limit switches in the machine design. As pneumatic system designers already know, this is an economical position sensing technology as compared to end-of-stroke proximity sensors or linear displacement transducers.

The best feature of a Lehigh stainless steel cylinder is the long term savings in both reduced downtime and maintenance. Let Lehigh's sales and engineering departments help you select the best product for your application needs.

LSSE Medium Pressure Stainless Steel Hydraulic Cylinder Series  
Bore VS. Maximum Working Pressure Rating

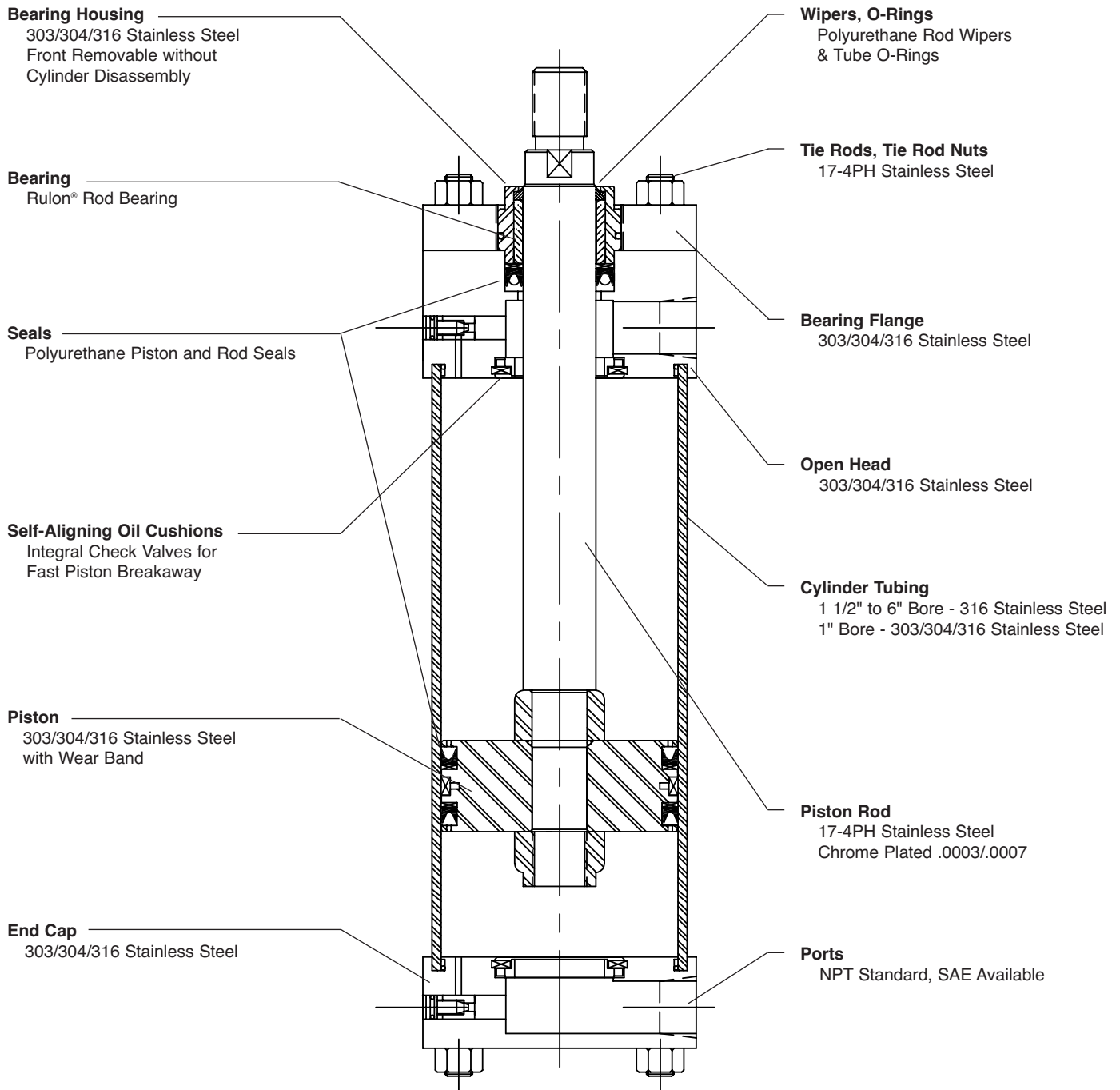
Bore	Pressure	Bore	Pressure
1"	1,500 PSI	3 1/4"	1,000 PSI
1 1/2"	1,500 PSI	4"	700 PSI
2"	1,250 PSI	5"	600 PSI
2 1/2"	1,000 PSI	6"	600 PSI

- Notes: 1) Pressure ratings are reduced for #06 and #07 mounting styles. See ratings on applicable data pages.  
2) Consult factory for pressure ratings for cylinders of all-316 stainless steel construction.

# THE SERIES LSSE HYDRAULIC CYLINDER ALL-STAINLESS STEEL

## FEATURES!

The LSSE Stainless Steel Hydraulic Cylinder Comes Standard with the Following Design Features:



**Other...** Operating Pressure to 1,500 PSI (Rated per Bore Size) ... Operating Temp. from 0° to 165°F (Standard), to 400°F (Optional Seals)

### Custom Stainless Steel Hydraulic Cylinders

An important part of our business is the custom cylinder design. The Series LSSE stainless steel hydraulic cylinder is available in virtually any configuration required by your special application. When you contact us with your design challenges, chances are that our engineering will meet the requirements of your special mounting, material, seal, temperature, sensing or other needs.