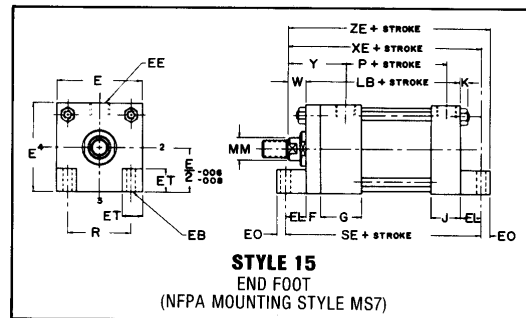
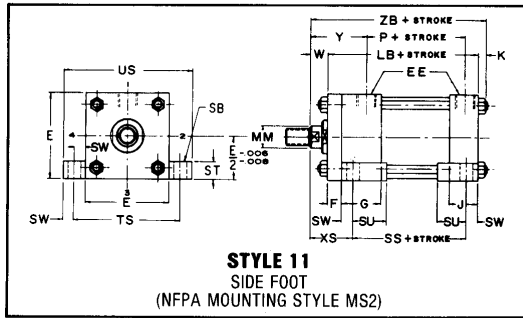
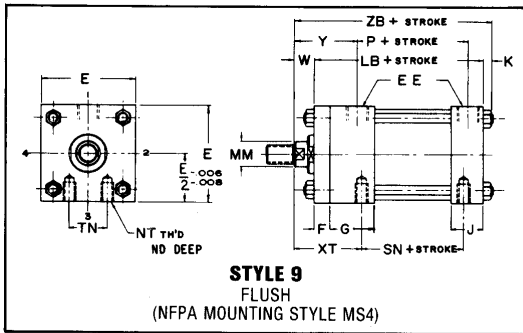




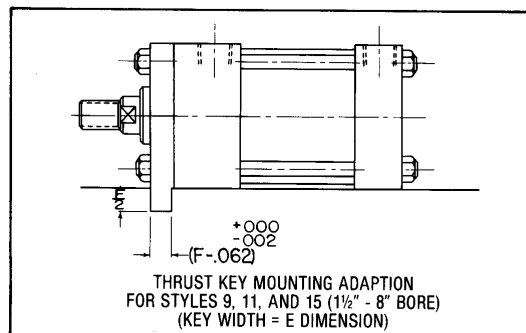
FOOT AND FLUSH MOUNTED CYLINDERS 1½" to 8" BORE SERIES HP HIGH PRESSURE HYDRAULIC CYLINDERS



Standard Port location is Position 1. Standard Cushion location is Position 2.



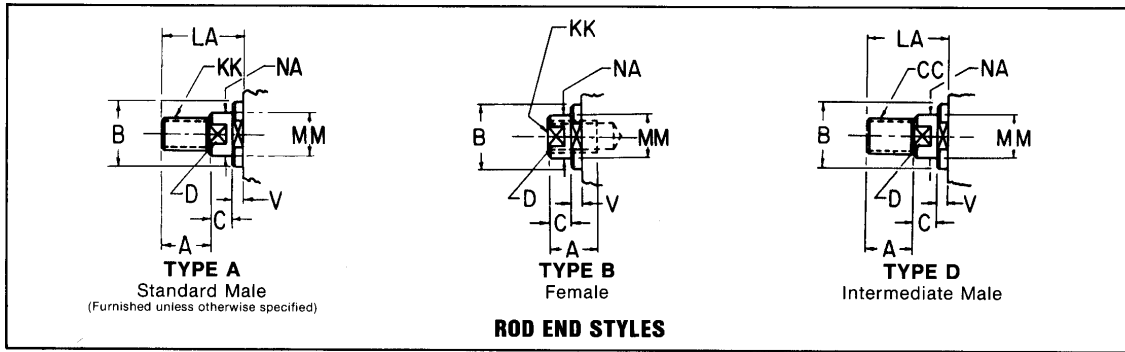
*Standard Port location is Position 1.
Standard Cushion location is Position 2.*



ENVELOPE AND MOUNTING DIMENSIONS NOT AFFECTED BY ROD DIAMETER

BORE	E	EB	EE		EL	EO	ET	F	G	J	K	NT
			NPTF	SAE								
1 1/2	2 1/2	7/16	1/2-14	10	7/8	3/8	7/8	3/8	1 3/4	1 1/2	3/8	3/8-16
2	3	9/16	1/2-14	10	15/16	1/2	15/16	5/8	1 3/4	1 1/2	7/16	1/2-13
2 1/2	3 1/2	9/16	1/2-14	10	15/16	1/2	15/16	5/8	1 3/4	1 1/2	7/16	5/8-11
3 1/4	4 1/2	11/16	3/4-14	12	1 1/8	5/8	1 1/4	3/4	2	1 3/4	9/16	3/4-10
4	5	11/16	3/4-14	12	1 1/8	5/8	1 3/16	7/8	2	1 3/4	9/16	1-8
5	6 1/2	15/16	3/4-14	12	1 1/2	3/4	1 9/16	7/8	2	1 3/4	3/4	1-8
6	7 1/2	1 1/16	1-11 1/2	16	1 11/16	13/16	1 3/4	1	2 1/4	2 1/4	7/8	1 1/4-7
7	8 1/2	1 3/16	1 1/4-11 1/2	20	1 13/16	1	1 15/16	1	2 3/4	2 3/4	1	1 1/2-6
8	9 1/2	1 5/16	1 1/2-11 1/2	24	2	1 1/8	2	1	3	3	1 1/16	1 1/2-6

BORE	R	SB	ST	SU	SW	TN	TS	US	LB	P	SE	SN	SS
									ADD STROKE				
1 1/2	1.63	7/16	1/2	15/16	3/8	3/4	3 1/4	4	5	2 7/8	6 3/4	2 7/8	3 7/8
2	2.05	9/16	3/4	1 1/4	1/2	15/16	4	5	5 1/4	2 7/8	7 1/8	2 7/8	3 5/8
2 1/2	2.55	13/16	1	1 9/16	11/16	1 5/16	4 7/8	6 1/4	5 3/8	3	7 1/4	3	3 3/8
3 1/4	3.25	13/16	1	1 9/16	11/16	1 1/2	5 7/8	7 1/4	6 1/4	3 1/2	8 1/2	3 1/2	4 1/8
4	3.82	1 1/16	1 1/4	2	7/8	2 1/16	6 3/4	8 1/2	6 5/8	3 3/4	8 7/8	3 3/4	4
5	4.95	1 1/16	1 1/4	2	7/8	2 15/16	8 1/4	10	7 1/8	4 1/4	10 1/8	4 1/4	4 1/2
6	5.73	1 5/16	1 1/2	2 1/2	1 1/8	3 5/16	9 3/4	12	8 3/8	4 7/8	11 3/4	5 1/8	5 1/8
7	6.58	1 9/16	1 3/4	2 7/8	1 3/8	3 3/4	11 1/4	14	9 1/2	5 3/8	13 1/8	5 7/8	5 3/4
8	7.50	1 9/16	1 3/4	2 7/8	1 3/8	4 1/4	12 1/4	15	10 1/2	6 1/8	14 1/2	6 5/8	6 3/4



DIMENSIONS AFFECTED BY ROD DIAMETER

BORE	ROD DIA. MM	THREAD SIZE		ROD EXTENSIONS & PILOT DIMENSIONS							ENVELOPE DIMENSIONS								
		KK STD.	CC	A	B +.000/ -.002	C	D	LA	NA	V	W	Y	ND	XS	XT	XE	ZB	ZE	
ADD STROKE																			
1 1/2	5/8	7/16-20	1/2-20	3/4	1.124	3/8	1/2	1 3/8	9/16	1/4	5/8	2	9/16	1 3/8	2	6 1/2	6	6 7/8	
	1*	3/4-16	7/8-14	1 1/8	1.499	1/2	7/8	2 1/8	15/16	1/2	1	2 3/8	7/16	1 3/4	2 3/8	6 7/8	6 3/8	7 1/4	
2	1	3/4-16	7/8-14	1 1/8	1.499	1/2	7/8	1 7/8	15/16	1/4	3/4	2 3/8	5/8	1 7/8	2 3/8	6 15/16	6 7/16	7 7/16	
	1 3/8*	1-14	1 1/4-12	1 5/8	1.499	5/8	1 1/8	2 5/8	1 5/16	3/8	1	2 5/8	7/16	2 1/8	2 5/8	7 3/16	6 11/16	7 11/16	
2 1/2	1	3/4-16	7/8-14	1 1/8	1.499	1/2	7/8	1 7/8	15/16	1/4	3/4	2 3/8	11/16	2 1/16	2 3/8	7 1/16	6 9/16	7 9/16	
	1 3/8	1-14	1 1/4-12	1 5/8	1.999	5/8	1 1/8	2 5/8	1 5/16	3/8	1	2 5/8	7/16	2 5/16	2 5/8	7 5/16	6 13/16	7 13/16	
	1 3/4*	1 1/4-12	1 1/2-12	2	2.374	3/4	1 1/2	3 1/4	1 11/16	1/2	1 1/4	2 7/8	7/16	2 9/16	2 7/8	7 9/16	7 1/16	8 1/16	
3 1/4	1 3/8	1-14	1 1/4-12	1 5/8	1.999	5/8	1 1/8	2 1/2	1 5/16	1/4	7/8	2 3/4	13/16	2 5/16	2 3/4	8 1/4	7 11/16	8 7/8	
	1 3/4	1 1/4-12	1 1/2-12	2	2.374	3/4	1 1/2	3 1/8	1 11/16	3/8	1 1/8	3	13/16	2 9/16	3	8 1/2	7 15/16	9 1/8	
4	2	1 1/2-12	1 3/4-12	2 1/4	2.624	7/8	1 11/16	3 1/2	1 15/16	3/8	1 1/4	3 1/8	3/4	2 11/16	3 1/8	8 5/8	8 1/16	9 1/4	
	1 3/4	1 1/4-12	1 1/2-12	2	2.374	3/4	1 1/2	3	1 11/16	1/4	1	3	7/8	2 3/4	3	8 3/4	8 3/16	9 3/8	
	2	1 1/2-12	1 3/4-12	2 1/4	2.624	7/8	1 11/16	3 3/8	1 15/16	1/4	1 1/8	3 1/8	3/4	2 7/8	3 1/8	8 7/8	8 5/16	9 1/2	
5	2 1/2	1 7/8-12	2 1/4-12	3	3.124	1	2 1/16	4 3/8	2 7/16	3/8	1 3/8	3 3/8	3/4	3 1/8	3 3/8	9 1/8	8 9/16	9 3/4	
	2	1 1/2-12	1 3/4-12	2 1/4	2.624	7/8	1 11/16	3 3/8	1 15/16	1/4	1 1/8	3 1/8	15/16	2 7/8	3 1/8	9 3/4	9	10 1/2	
	2 1/2	1 7/8-12	2 1/4-12	3	3.124	1	2 1/16	4 3/8	2 7/16	3/8	1 3/8	3 3/8	15/16	3 1/8	3 3/8	10	9 1/4	10 3/4	
	3 1/2	2 1/4-12	2 3/4-12	3 1/2	3.749	1	2 5/8	4 7/8	2 15/16	3/8	1 3/8	3 3/8	13/16	3 1/8	3 3/8	10	9 1/4	10 3/4	
6	3 1/2	2 1/2-12	3 1/4-12	3 1/2	4.249	1	3	4 7/8	3 7/16	3/8	1 3/8	3 3/8	13/16	3 1/8	3 3/8	10	9 1/4	10 3/4	
	2 1/2	1 7/8-12	2 1/4-12	3	3.124	1	2 1/16	4 1/4	2 7/16	1/4	1 1/4	3 1/2	1 3/4	3 3/8	3 1/2	11 5/16	10 1/2	12 3/16	
	3	2 1/4-12	2 3/4-12	3 1/2	3.749	1	2 5/8	4 3/4	2 15/16	1/4	1 1/4	3 1/2	1 3/4	3 3/8	3 1/2	11 5/16	10 1/2	12 3/16	
7	3 1/2	2 1/2-12	3 1/4-12	3 1/2	4.249	1	3	4 3/4	3 7/16	1/4	1 1/4	3 1/2	15/16	3 3/8	3 1/2	11 5/16	10 1/2	12 3/16	
	4	3-12	3 3/4-12	4	4.749	1	3 3/8	5 1/4	3 15/16	1/4	1 1/4	3 1/2	15/16	3 3/8	3 1/2	11 5/16	10 1/2	12 3/16	
	3	2 1/4-12	2 3/4-12	3 1/2	3.749	1	2 5/8	4 3/4	2 7/8	1/4	1 1/4	3 13/16	2 1/8	3 5/8	3 13/16	12 9/16	11 3/4	13 9/16	
	3 1/2	2 1/2-12	3 1/4-12	3 1/2	4.249	1	3	4 3/4	3 3/8	1/4	1 1/4	3 13/16	2 1/8	3 5/8	3 13/16	12 9/16	11 3/4	13 9/16	
8	4	3-12	3 3/4-12	4	4.749	1	3 3/8	5 1/4	3 7/8	1/4	1 1/4	3 13/16	1 3/4	3 5/8	3 13/16	12 9/16	11 3/4	13 9/16	
	5	3 1/2-12	4 3/4-12	5	5.749	1	4 1/4	6 1/4	4 7/8	1/4	1 1/4	3 13/16	1 1/8	3 5/8	3 13/16	12 9/16	11 3/4	13 9/16	
	3 1/2	2 1/2-12	3 1/4-12	3 1/2	4.249	1	3	4 3/4	3 3/8	1/4	1 1/4	3 15/16	2 1/4	3 5/8	3 15/16	13 3/4	12 13/16	14 7/8	
	5 1/2	4-12	5 1/4-12	5 1/2	6.249	1	4 5/8	6 3/4	5 3/8	1/4	1 1/4	3 15/16	1 1/2	3 5/8	3 15/16	13 3/4	12 13/16	14 7/8	

*Rod end cushions available only as non-adjustable type- Consult Lehigh