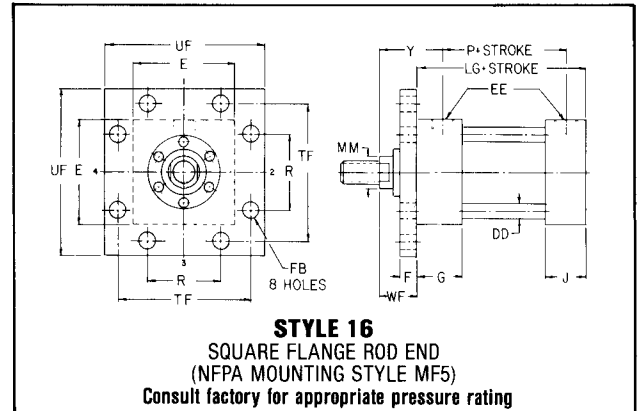
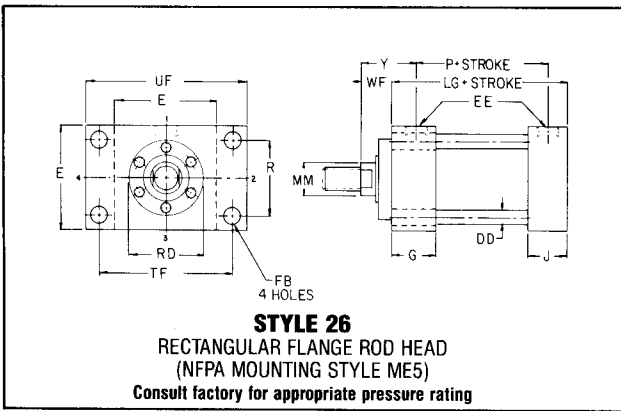


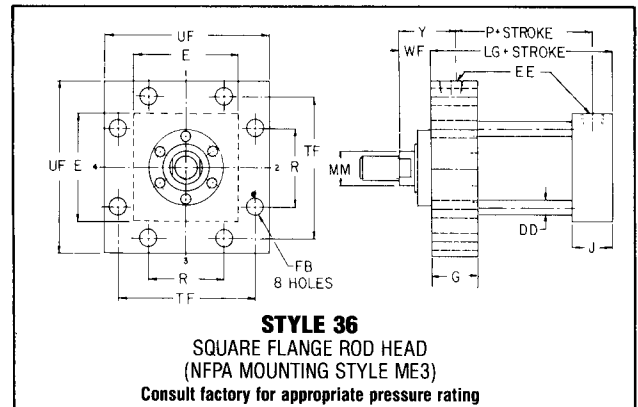
Standard Port location is Position 1.
Standard Cushion location is Position 2.



Standard Port location is Position 1.
Standard Cushion location is Position 2.



Standard Port location is Position 1.
Standard Cushion location is Position 3 Rod End and Position 2 Cap End.



Standard Port location is Position 1.
Standard Cushion location is Position 3 Rod End and Position 2 Cap End.

Style 26 mounts can be used at full rated pressure except as indicated in the chart below:

Styles 6, 7, 16 and 17 are not recommended for maximum operating pressures. Styles 6 and 7 can be used for 1000 psi maximum; styles 16 and 17 should be limited to 2500 psi maximum operating pressure. We recommend the use of high tensile mounting bolts on all flange mounted cylinders subjected to maximum pressures and shock loads.

BORE	ROD DIA.	MOUNT STYLE	PORT POSITION	MAX. OPER. PRESSURE—PSI
10	5	26	1 or 3	2500
	7	26	1 or 3	1500
12	8½	26	1 or 3	1500

ENVELOPE AND MOUNTING DIMENSIONS NOT AFFECTED BY ROD DIAMETER FOR BOTH ROD END & CAP END MOUNTINGS

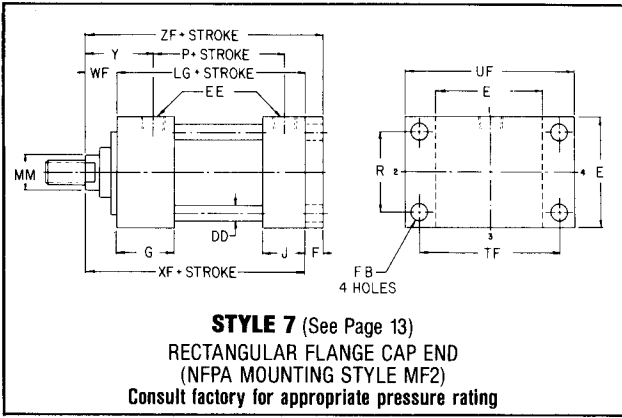
BORE	DD DIA.	E	EE		F	FB	G	J	R	TF	UF	LG	P
			NPTF	SAE									
10	1	12 5/8	2—11 1/2	32	1 11/16	1 13/16	3 11/16	3 11/16	9.62	15 7/8	19	12 1/8	8 1/2
12	1	14 7/8	2 1/2—8	32	1 15/16	2 1/16	4 7/16	4 7/16	11.45	18 1/2	22	14 1/2	10 1/8

DIMENSIONS NOT AFFECTED BY ROD DIAMETER FOR BOTH ROD END & CAP END MOUNTINGS

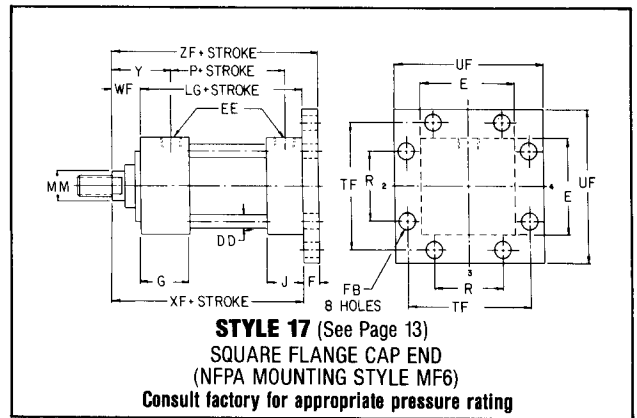
BORE	ROD DIA MM	THREAD SIZE		A	B +.000 - .005	C	D	LA	LAH	NA	V	W	VH	RD MAX	WF	Y	ADD STROKE	
		KK	CC														XF	ZF
10	5	3 1/2—12	4 3/4—12	5	5.749	1	4 1/4	6 1/4	7 15/16	4 7/8	1/4	1 1/4	1	9 1/2	2 15/16	4 3/4	15 1/16	16 3/4
	7	4—12	4 3/4—12	5	7.749	1	6	6 1/2	8 3/16	6 7/8	1/2	1 1/2	1 1/8	10 3/4	3 3/16	5	15 5/16	17
12	5 1/2	4—12	5 1/4—12	5 1/2	6.249	1	4 5/8	6 3/4	8 11/16	5 3/8	1/4	1 1/4	1 5/16	10 1/8	3 3/16	5 3/8	17 11/16	19 5/8
	8 1/2	4 1/2—12	5 1/4—12	5 1/2	9.249	1	7 1/4	7	8 15/16	8 3/8	1/2	1 1/2	1 1/8	13 1/4	3 7/16	5 5/8	17 15/16	19 7/8



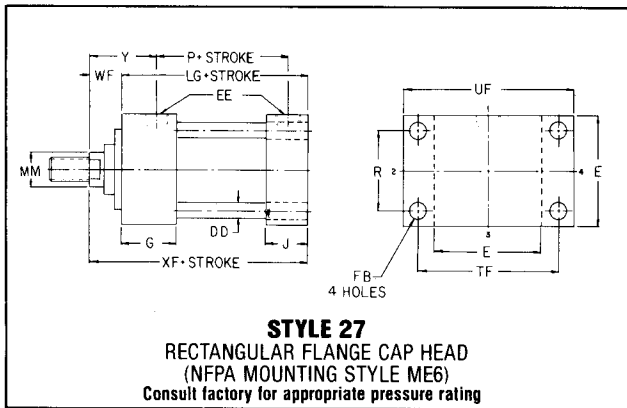
**CAP END FLANGE MOUNTED CYLINDERS
10" AND 12" BORE SERIES HP HIGH PRESSURE HYDRAULIC CYLINDERS**



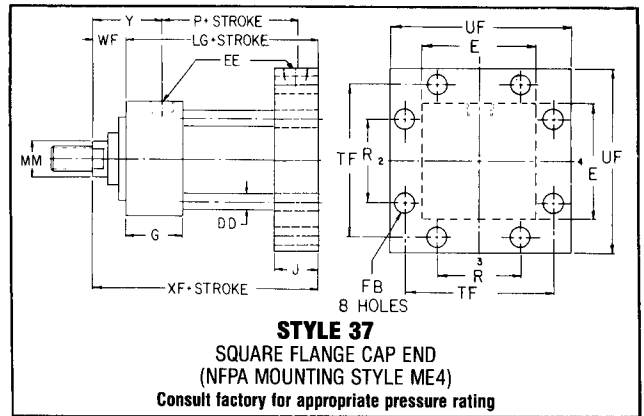
Standard Port location is Position 1.
Standard Cushion location is Position 2.



Standard Port location is Position 1.
Standard Cushion location is Position 2.



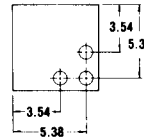
Standard Port location is Position 1.
Standard Cushion location is Position 2 Rod End and Position 3 Cap End.



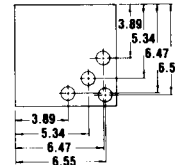
Standard Port location is Position 1.
Standard Cushion location is Position 2 Rod End and Position 3 Cap End.

TIE ROD SPACING—

10" BORE



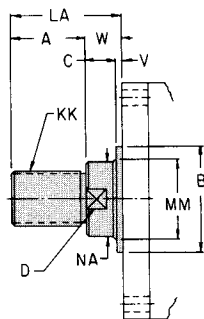
12" BORE



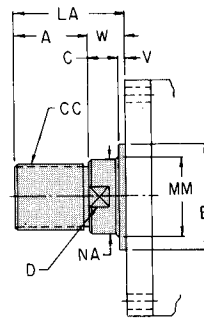
ROD END DIMENSIONS—

FOR MOUNTING STYLES 6, 16

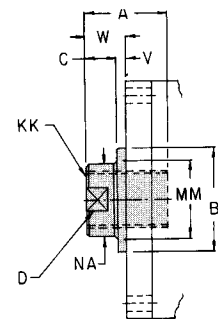
**TYPE A
STANDARD
MALE**



**TYPE D
INTERMEDIATE
MALE**

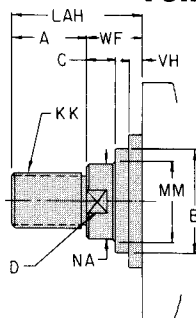


**TYPE B
FEMALE**

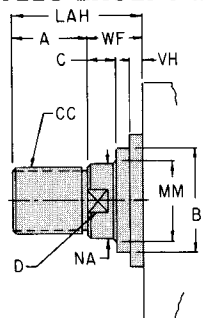


FOR ALL MOUNTING STYLES EXCEPT #6 & #16

**TYPE A
STANDARD
MALE**



**TYPE D
INTERMEDIATE
MALE**



**TYPE B
FEMALE**

