

## INDEX

### 1 1/2" TO 8" BORE STAINLESS STEEL HIGH PRESSURE HYDRAULIC CYLINDERS

#### 1 1/2" TO 8" BORE

##### TIE ROD MOUNTED CYLINDERS

Single Rod End Cylinders (NFPA Styles MX1, MX2, MX3) .....	4-5
Double Rod End Cylinders (NFPA Styles MDX1, MDX3) .....	4-5

##### TRUNNION and CLEVIS MOUNTED CYLINDERS

Rod End Trunnion Cylinders (NFPA Style MT1) .....	6-7
Cap End Trunnion Cylinders (NFPA Style MT2) .....	6-7
Intermediate Trunnion Cylinders (NFPA Style MT4) .....	6-7
Fixed Clevis Cylinders (NFPA Style MP1) .....	6-7

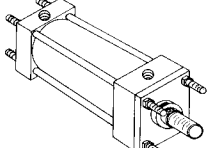
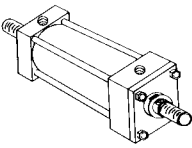
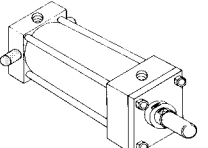
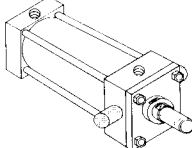
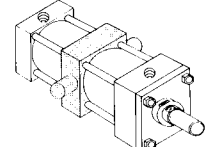
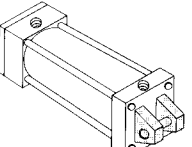
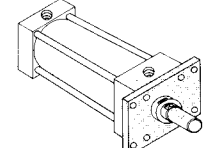
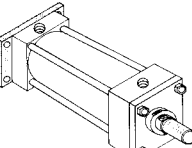
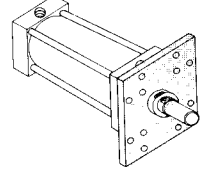
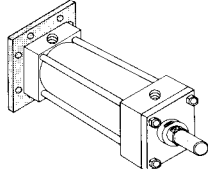
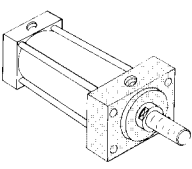
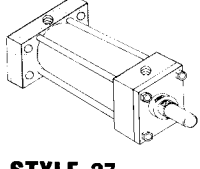
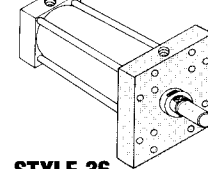
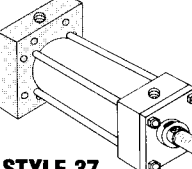
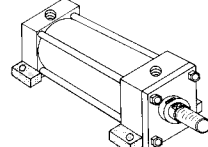
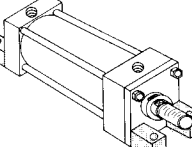
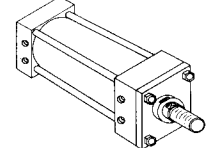

##### FLANGE MOUNTED CYLINDERS

Rectangular Flange Rod End Cylinders (NFPA Style MF1) .....	8-9
Square Flange Rod End Cylinders (NFPA Styles ME3, MF5) .....	8-9
Rectangular Flange Rod Head Cylinders (NFPA Style ME5) .....	8-9
Rectangular Flange Cap End Cylinders (NFPA Style MF2) .....	10-11
Square Flange Cap End Cylinders (NFPA Styles ME4, ME6) .....	10-11
Rectangular Flange Cap Head Cylinders (NFPA Style ME6) .....	10-11

##### FOOT and FLUSH MOUNTED CYLINDERS

Side Foot Cylinders (NFPA Style MS2) .....	12-13
End Foot Cylinders (NFPA Style MS7) .....	12-13
Flush Mounted Cylinders (NFPA Style MS4) .....	12-13
Key Mounted Cylinders .....	12-13

Cylinder Theoretical Capacity Chart .....	14
Applications, Specials, Cost Reduction .....	15
Cap and Rod End Mounting Accessories .....	16-17
Part Number Code for Cylinder Orders .....	18
Warranty .....	Inside Back Cover

<p style="text-align: center;"><b>TIE ROD MOUNTS</b></p>	 <p style="text-align: center;"><b>STYLES 1, 2, 3, &amp; 4</b> (MX1) (MX2) (MX3)</p>	 <p style="text-align: center;"><b>STYLES DRE 1, 2, &amp; 3</b> (MDX1) (MDX3)</p>
	 <p style="text-align: center;"><b>STYLE 12</b> (MT2)</p>	 <p style="text-align: center;"><b>STYLE 13</b> (MT1)</p>
<p style="text-align: center;"><b>TRUNNION and CLEVIS MOUNTS</b></p>	 <p style="text-align: center;"><b>STYLE 14</b> (MT4)</p>	 <p style="text-align: center;"><b>STYLE 8F</b> (MP1)</p>
	<p style="text-align: center;"><b>FLANGE MOUNTS</b></p>  <p style="text-align: center;"><b>STYLE 6</b> (MF1)</p>	 <p style="text-align: center;"><b>STYLE 7</b> (MF2)</p>
 <p style="text-align: center;"><b>STYLE 16</b> (MF5)</p>	 <p style="text-align: center;"><b>STYLE 17</b> (MF6)</p>	 <p style="text-align: center;"><b>STYLE 26</b> (ME5)</p>
 <p style="text-align: center;"><b>STYLE 27</b> (ME6)</p>	 <p style="text-align: center;"><b>STYLE 36</b> (ME3)</p>	 <p style="text-align: center;"><b>STYLE 37</b> (ME4)</p>
<p style="text-align: center;"><b>FOOT and FLUSH MOUNTS</b></p>	 <p style="text-align: center;"><b>STYLE 11</b> (MS2)</p>	 <p style="text-align: center;"><b>STYLE 15</b> (MS7)</p>
	 <p style="text-align: center;"><b>STYLE 9</b> (MS4)</p>	 <p style="text-align: center;"><b>LEHIGH</b> FLUID POWER, INC.</p>