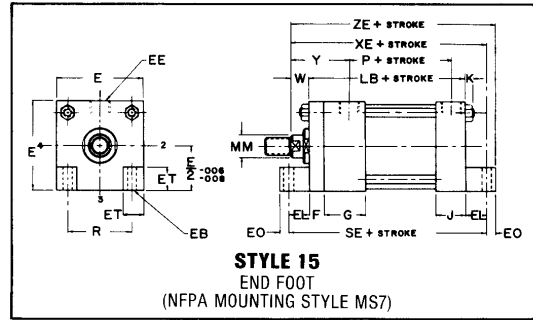
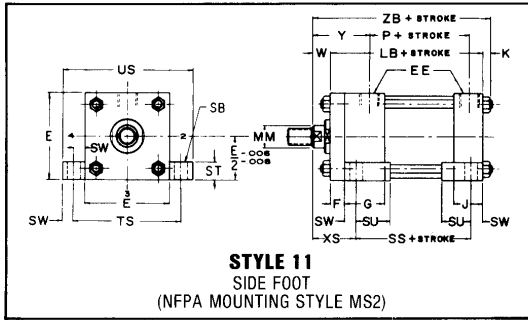
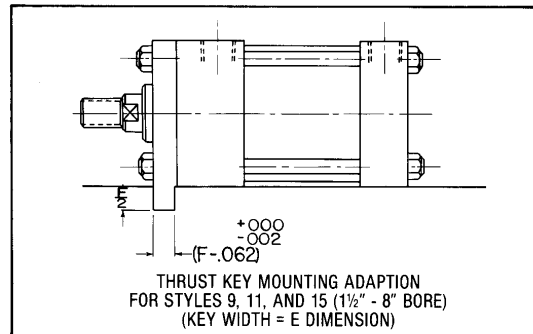
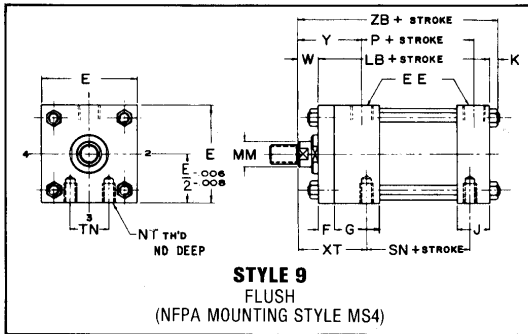




**FOOT AND FLUSH MOUNTED STAINLESS STEEL
1 1/2" TO 8" BORE, 3000 PSI RATED (MAXIMUM)
HIGH PRESSURE HYDRAULIC CYLINDERS**



Standard Port location is Position 1. Standard Cushion location is Position 2.

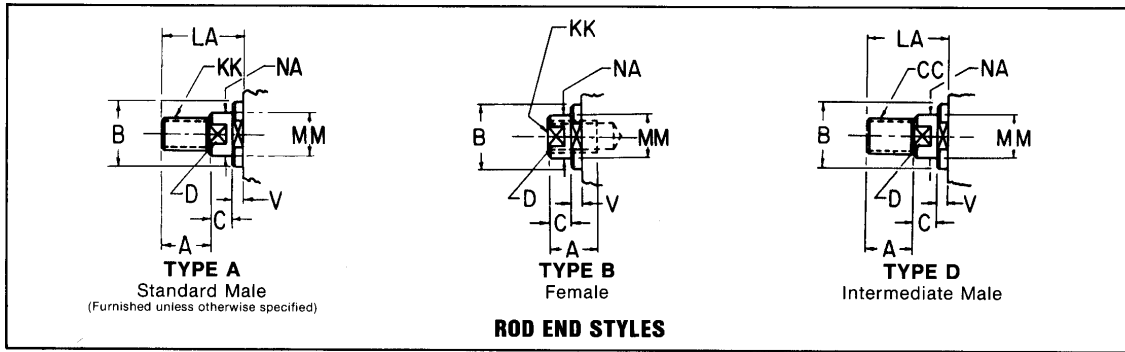


Standard Port location is Position 1.
Standard Cushion location is Position 2.

ENVELOPE AND MOUNTING DIMENSIONS NOT AFFECTED BY ROD DIAMETER

BORE	E	EB	EE		EL	EO	ET	F	G	J	K	NT
			NPTF	SAE								
1 1/2	2 1/2	7/16	1/2-14	10	7/8	3/8	7/8	3/8	1 3/4	1 1/2	3/8	3/8-16
2	3	9/16	1/2-14	10	15/16	1/2	15/16	5/8	1 3/4	1 1/2	7/16	1/2-13
2 1/2	3 1/2	9/16	1/2-14	10	15/16	1/2	15/16	5/8	1 3/4	1 1/2	7/16	5/8-11
3 1/4	4 1/2	11/16	3/4-14	12	1 1/8	5/8	1 1/4	3/4	2	1 3/4	9/16	3/4-10
4	5	11/16	3/4-14	12	1 1/8	5/8	1 3/16	7/8	2	1 3/4	9/16	1-8
5	6 1/2	15/16	3/4-14	12	1 1/2	3/4	1 9/16	7/8	2	1 3/4	3/4	1-8
6	7 1/2	1 1/16	1-11 1/2	16	1 11/16	13/16	1 3/4	1	2 1/4	2 1/4	7/8	1 1/4-7
7	8 1/2	1 3/16	1 1/4-11 1/2	20	1 13/16	1	1 15/16	1	2 3/4	2 3/4	1	1 1/2-6
8	9 1/2	1 5/16	1 1/2-11 1/2	24	2	1 1/8	2	1	3	3	1 1/16	1 1/2-6

BORE	R	SB	ST	SU	SW	TN	TS	US	LB	P	SE	SN	SS
									ADD STROKE				
1 1/2	1.63	7/16	1/2	15/16	3/8	3/4	3 1/4	4	5	2 7/8	6 3/4	2 7/8	3 7/8
2	2.05	9/16	3/4	1 1/4	1/2	15/16	4	5	5 1/4	2 7/8	7 1/8	2 7/8	3 5/8
2 1/2	2.55	13/16	1	1 9/16	11/16	1 5/16	4 7/8	6 1/4	5 3/8	3	7 1/4	3	3 3/8
3 1/4	3.25	13/16	1	1 9/16	11/16	1 1/2	5 7/8	7 1/4	6 1/4	3 1/2	8 1/2	3 1/2	4 1/8
4	3.82	1 1/16	1 1/4	2	7/8	2 1/16	6 3/4	8 1/2	6 5/8	3 3/4	8 7/8	3 3/4	4
5	4.95	1 1/16	1 1/4	2	7/8	2 15/16	8 1/4	10	7 1/8	4 1/4	10 1/8	4 1/4	4 1/2
6	5.73	1 5/16	1 1/2	2 1/2	1 1/8	3 5/16	9 3/4	12	8 3/8	4 7/8	11 3/4	5 1/8	5 1/8
7	6.58	1 9/16	1 3/4	2 7/8	1 3/8	3 3/4	11 1/4	14	9 1/2	5 3/8	13 1/8	5 7/8	5 3/4
8	7.50	1 9/16	1 3/4	2 7/8	1 3/8	4 1/4	12 1/4	15	10 1/2	6 1/8	14 1/2	6 5/8	6 3/4



DIMENSIONS AFFECTED BY ROD DIAMETER

BORE	ROD DIA. MM	THREAD SIZE		ROD EXTENSIONS & PILOT DIMENSIONS							ENVELOPE DIMENSIONS								
		KK STD.	CC	A	B +.000/ -.002	C	D	LA	NA	V	W	Y	ND	XS	XT	XE	ZB	ZE	
ADD STROKE																			
1 1/2	5/8	7/16-20	1/2-20	3/4	1.124	3/8	1/2	1 3/8	9/16	1/4	5/8	2	9/16	1 3/8	2	6 1/2	6	6 7/8	
	1*	3/4-16	7/8-14	1 1/8	1.499	1/2	7/8	2 1/8	15/16	1/2	1	2 3/8	7/16	1 3/4	2 3/8	6 7/8	6 3/8	7 1/4	
2	1	3/4-16	7/8-14	1 1/8	1.499	1/2	7/8	1 7/8	15/16	1/4	3/4	2 3/8	5/8	1 7/8	2 3/8	6 15/16	6 7/16	7 7/16	
	1 3/8*	1-14	1 1/4-12	1 5/8	1.499	5/8	1 1/8	2 5/8	1 5/16	3/8	1	2 5/8	7/16	2 1/8	2 5/8	7 3/16	6 11/16	7 11/16	
2 1/2	1	3/4-16	7/8-14	1 1/8	1.499	1/2	7/8	1 7/8	15/16	1/4	3/4	2 3/8	11/16	2 1/16	2 3/8	7 1/16	6 9/16	7 9/16	
	1 3/8	1-14	1 1/4-12	1 5/8	1.999	5/8	1 1/8	2 5/8	1 5/16	3/8	1	2 5/8	7/16	2 5/16	2 5/8	7 5/16	6 13/16	7 13/16	
	1 3/4*	1 1/4-12	1 1/2-12	2	2.374	3/4	1 1/2	3 1/4	1 11/16	1/2	1 1/4	2 7/8	7/16	2 9/16	2 7/8	7 9/16	7 1/16	8 1/16	
3 1/4	1 3/8	1-14	1 1/4-12	1 5/8	1.999	5/8	1 1/8	2 1/2	1 5/16	1/4	7/8	2 3/4	13/16	2 5/16	2 3/4	8 1/4	7 11/16	8 7/8	
	1 3/4	1 1/4-12	1 1/2-12	2	2.374	3/4	1 1/2	3 1/8	1 11/16	3/8	1 1/8	3	13/16	2 9/16	3	8 1/2	7 15/16	9 1/8	
4	2	1 1/2-12	1 3/4-12	2 1/4	2.624	7/8	1 11/16	3 1/2	1 15/16	3/8	1 1/4	3 1/8	3/4	2 11/16	3 1/8	8 5/8	8 1/16	9 1/4	
	1 3/4	1 1/4-12	1 1/2-12	2	2.374	3/4	1 1/2	3	1 11/16	1/4	1	3	7/8	2 3/4	3	8 3/4	8 3/16	9 3/8	
	2	1 1/2-12	1 3/4-12	2 1/4	2.624	7/8	1 11/16	3 3/8	1 15/16	1/4	1 1/8	3 1/8	3/4	2 7/8	3 1/8	8 7/8	8 5/16	9 1/2	
5	2 1/2	1 7/8-12	2 1/4-12	3	3.124	1	2 1/16	4 3/8	2 7/16	3/8	1 3/8	3 3/8	3/4	3 1/8	3 3/8	9 1/8	8 9/16	9 3/4	
	2	1 1/2-12	1 3/4-12	2 1/4	2.624	7/8	1 11/16	3 3/8	1 15/16	1/4	1 1/8	3 1/8	15/16	2 7/8	3 1/8	9 3/4	9	10 1/2	
	2 1/2	1 7/8-12	2 1/4-12	3	3.124	1	2 1/16	4 3/8	2 7/16	3/8	1 3/8	3 3/8	15/16	3 1/8	3 3/8	10	9 1/4	10 3/4	
	3	2 1/4-12	2 3/4-12	3 1/2	3.749	1	2 5/8	4 7/8	2 15/16	3/8	1 3/8	3 3/8	13/16	3 1/8	3 3/8	10	9 1/4	10 3/4	
6	3 1/2	2 1/2-12	3 1/4-12	3 1/2	4.249	1	3	4 7/8	3 7/16	3/8	1 3/8	3 3/8	13/16	3 1/8	3 3/8	10	9 1/4	10 3/4	
	2 1/2	1 7/8-12	2 1/4-12	3	3.124	1	2 1/16	4 1/4	2 7/16	1/4	1 1/4	3 1/2	1 3/4	3 3/8	3 1/2	11 5/16	10 1/2	12 3/16	
	3	2 1/4-12	2 3/4-12	3 1/2	3.749	1	2 5/8	4 3/4	2 15/16	1/4	1 1/4	3 1/2	1 3/4	3 3/8	3 1/2	11 5/16	10 1/2	12 3/16	
	3 1/2	2 1/2-12	3 1/4-12	3 1/2	4.249	1	3	4 3/4	3 7/16	1/4	1 1/4	3 1/2	15/16	3 3/8	3 1/2	11 5/16	10 1/2	12 3/16	
7	4	3-12	3 3/4-12	4	4.749	1	3 3/8	5 1/4	3 15/16	1/4	1 1/4	3 1/2	15/16	3 3/8	3 1/2	11 5/16	10 1/2	12 3/16	
	3	2 1/4-12	2 3/4-12	3 1/2	3.749	1	2 5/8	4 3/4	2 7/8	1/4	1 1/4	3 13/16	2 1/8	3 5/8	3 13/16	12 9/16	11 3/4	13 9/16	
	3 1/2	2 1/2-12	3 1/4-12	3 1/2	4.249	1	3	4 3/4	3 3/8	1/4	1 1/4	3 13/16	2 1/8	3 5/8	3 13/16	12 9/16	11 3/4	13 9/16	
	4	3-12	3 3/4-12	4	4.749	1	3 3/8	5 1/4	3 7/8	1/4	1 1/4	3 13/16	1 3/4	3 5/8	3 13/16	12 9/16	11 3/4	13 9/16	
	5	3 1/2-12	4 3/4-12	5	5.749	1	4 1/4	6 1/4	4 7/8	1/4	1 1/4	3 13/16	1 1/8	3 5/8	3 13/16	12 9/16	11 3/4	13 9/16	
8	3 1/2	2 1/2-12	3 1/4-12	3 1/2	4.249	1	3	4 3/4	3 3/8	1/4	1 1/4	3 15/16	2 1/4	3 5/8	3 15/16	13 3/4	12 13/16	14 7/8	
	4	3-12	3 3/4-12	4	4.749	1	3 3/8	5 1/4	3 7/8	1/4	1 1/4	3 15/16	2 1/4	3 5/8	3 15/16	13 3/4	12 13/16	14 7/8	
	5	3 1/2-12	4 3/4-12	5	5.749	1	4 1/4	6 1/4	4 7/8	1/4	1 1/4	3 15/16	1 3/4	3 5/8	3 15/16	13 3/4	12 13/16	14 7/8	
	5 1/2	4-12	5 1/4-12	5 1/2	6.249	1	4 5/8	6 3/4	5 3/8	1/4	1 1/4	3 15/16	1 1/2	3 5/8	3 15/16	13 3/4	12 13/16	14 7/8	

*Rod end cushions available only as non-adjustable type- Consult Lehigh