

**INDEX**

**1½" to 12" BORE  
HIGH PRESSURE HYDRAULIC CYLINDERS**

Design Advantages of Lehigh High Pressure Hydraulic Cylinders ..... Inside Front Cover

**1½" to 8" BORE**

**TIE ROD MOUNTED CYLINDERS**

- Single Rod End Cylinders (NFPA Style MX1, MX2, MX3) ..... 3-4
- Double Rod End Cylinders (NFPA Styles MDX1, MDX3) ..... 3-4

**TRUNNION and CLEVIS MOUNTED CYLINDERS**

- Rod End Trunnion Cylinders (NFPA Style MT1) ..... 5-6
- Cap End Trunnion Cylinders (NFPA Style MT2) ..... 5-6
- Intermediate Trunnion Cylinders (NFPA Style MT4) ..... 5-6
- Fixed Clevis Cylinders (NFPA Style MP1) ..... 5-6

**FLANGE MOUNTED CYLINDERS**

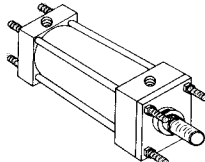
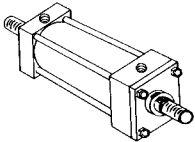
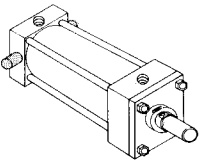
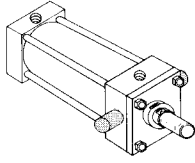
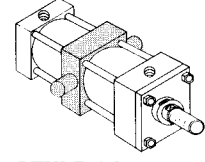
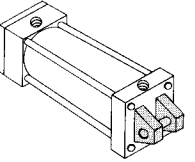
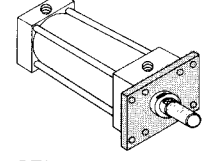
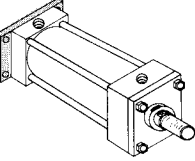
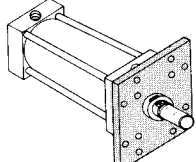
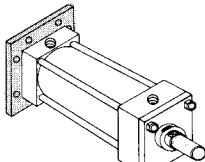
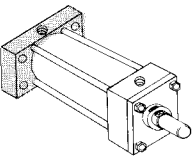
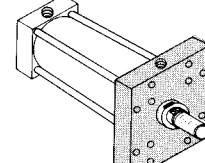
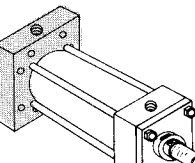
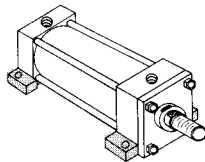
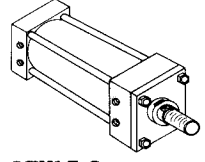

- Rectangular Flange Rod End Cylinders (NFPA Style MF1) ..... 7-8
- Square Flange Rod End Cylinders (NFPA Styles ME3, MF5) ..... 7-8
- Rectangular Flange Rod Head Cylinders (NFPA Style ME5) ..... 7-8
- Rectangular Flange Cap End Cylinders (NFPA Style MF2) ..... 9-10
- Square Flange Cap End Cylinders (NFPA Styles ME4, MF6) ..... 9-10
- Rectangular Flange Cap Head Cylinders (NFPA Style ME6) ..... 9-10

**FOOT and FLUSH MOUNTED CYLINDERS**

- Side Foot Cylinders (NFPA Style MS2) ..... 11-12
- End Foot Cylinders (NFPA Style MS7) ..... 11-12
- Flush Mounted Cylinders (NFPA Style MS4) ..... 11-12
- Key Mounted Cylinders ..... 11-12

**10" to 12" BORE**

- Rod End Flange Mounted Cylinders (NFPA Styles ME3, ME5, MF1, MF5) ..... 13
- Cap End Flange Mounted Cylinders (NFPA Styles ME4, ME6, MF2, MF6) ..... 14
- Side Foot, Clevis, Double End Cylinders (NFPA Styles MS2, MP1, MDX) ..... 15
- Trunnion Mounted Cylinders (NFPA Styles MT1, MT2, MT4) ..... 16
- Lehigh Mounting Accessories ..... 17-18
- Lehigh Piston Rod Selection Chart ..... 19
- Lehigh Cylinder Capacity Chart ..... 20
- Lehigh Coding System for Cylinder Orders ..... 21
- Lehigh Warranty ..... Inside Back Cover
- Lehigh Video ..... Consult Factory
- Lehigh Product Catalogs ..... Back Cover

<b>TIE ROD MOUNTS</b>	 <b>STYLES 1, 2, 3, &amp; 4</b> (MX1) (MX2) (MX3)	 <b>STYLES DRE 1, 2, &amp; 3</b> (MDX1) (MDX3)
<b>TRUNNION and CLEVIS MOUNTS</b>	 <b>STYLE 12</b> (MT2)	 <b>STYLE 13</b> (MT1)
	 <b>STYLE 14</b> (MT4)	 <b>STYLE 8F</b> (MP1)
<b>FLANGE MOUNTS</b>	 <b>STYLE 6</b> (MF1)	 <b>STYLE 7</b> (MF2)
	 <b>STYLE 16</b> (MF5)	 <b>STYLE 17</b> (MF6)
<b>FOOT and FLUSH MOUNTS</b>	 <b>STYLE 27</b> (ME6)	 <b>STYLE 36</b> (ME3)
	 <b>STYLE 37</b> (ME4)	 <b>STYLE 11</b> (MS2)
<b>FOOT and FLUSH MOUNTS</b>	 <b>STYLE 9</b> (MS4)	 <b>LEHIGH</b> FLUID POWER, INC.